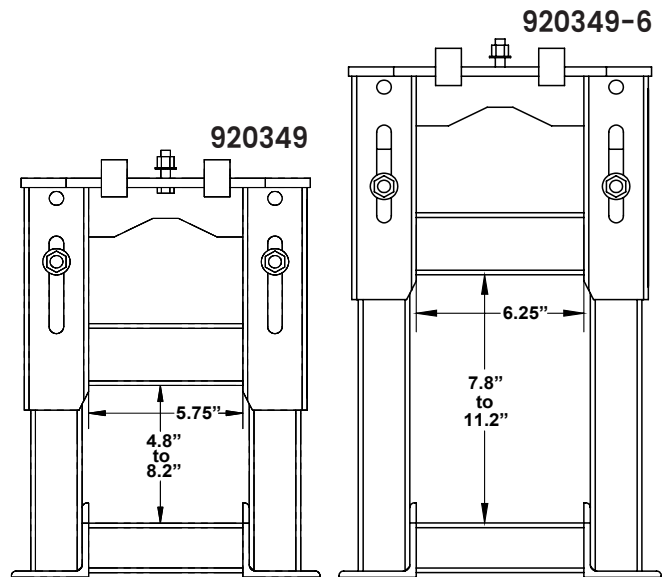




2145 Indian Road, West Palm Beach, FL 33409
 Phone: 561.616.9003 www.beeaccess.com

SPEC-920349

POST SHORE ADAPTER



DESCRIPTION

The heavy duty Post Shore Adapter provides a fast and easy solution for temporary rigging applications by securing outrigger beams between floor slabs using post shores. The use of counterweights is eliminated as the rear post shore adapter acts as the counterweight (tiebacks are still required). The two variations of adapters are compatible with most outrigger beam systems on the market today. The special H-design allows wire rope to pass through the adapters for hoist mounted applications such as material lifting. The post shore adapters can be inverted for ceiling mounted applications. Contact Bee Access for specialty rigging applications.

SPECIFICATIONS

Part No.:
920349: fits 5x5, 8x5 beams & Splice Tubes
920349-6: fits 10x6 beams

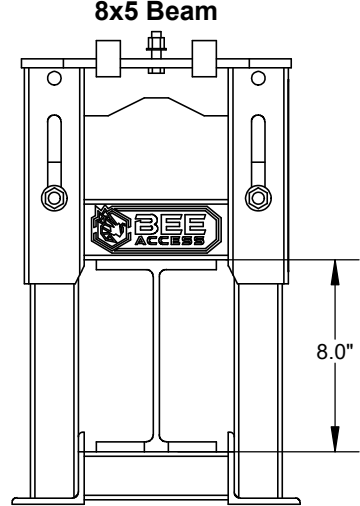
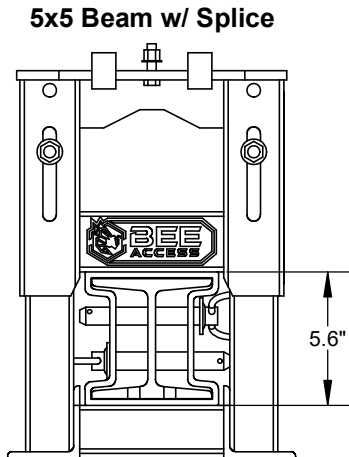
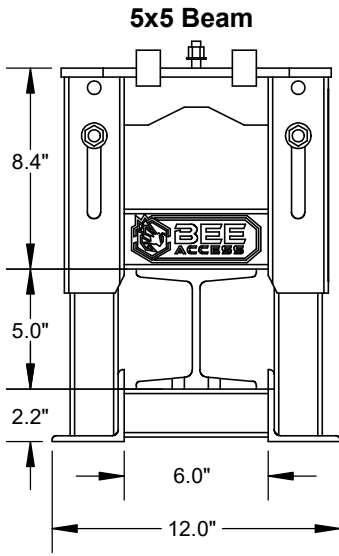
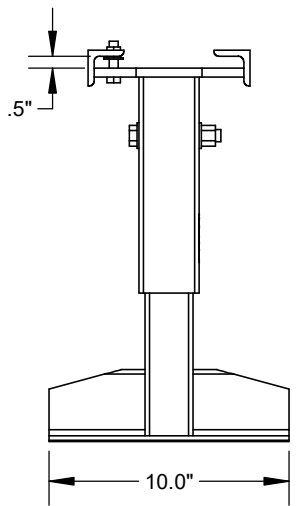
Dimensions:
920349: 19.5" max x 12" x 10" (HxWxD)
920349-6: 22.5" max x 12.5" x 10" (HxWxD)

Weight: 920349: 43lb 920349-6: 47lb

Construction/Finish: Steel / Galvanized

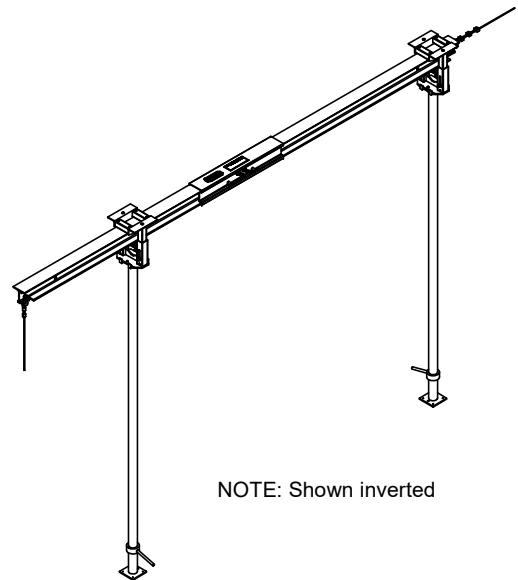
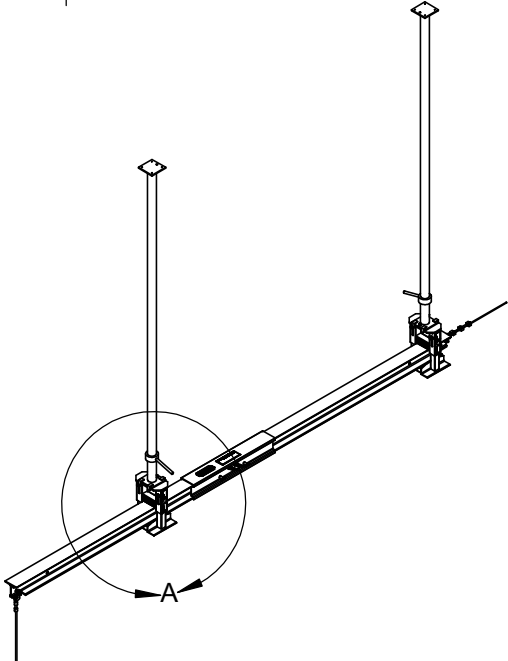
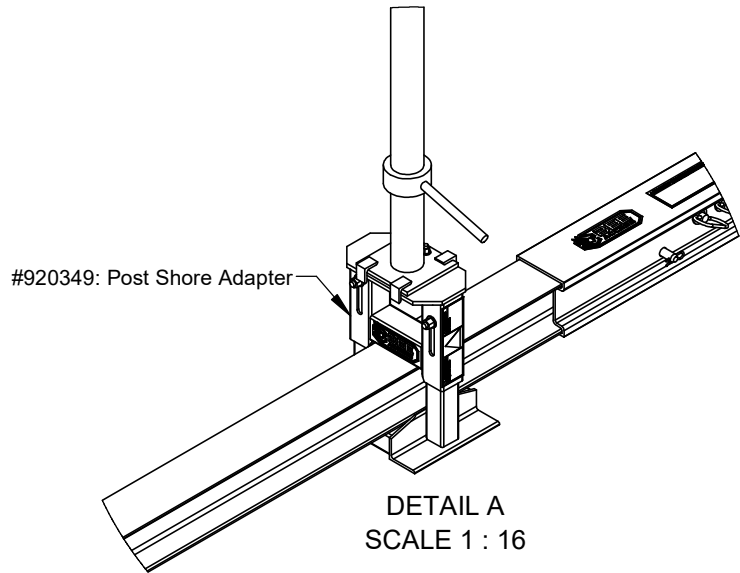
5 4 3 2 1

A



B

C



D

- ⚠ WARNING:**
- Failure to properly install and use this product may result in death or serious injury. Follow the manufacturer's instruction manual. Suspended Scaffold Systems must be installed and dismantled by, or under the supervision of, a trained and competent person.
 - Bee Access declines any responsibility for any special layouts, rigging or structural combinations beyond the descriptions of this drawing, or components manufactured by others. Any installation of this equipment other than in strict accordance with this drawing shall be at the Operator's risk.
 - Designed to be used with Bee Access components only.
 - Never let the equipment be moved or operated by unauthorized personnel.
 - Never load this equipment above its rated load capacity.
 - Do not alter any products and never use it for purposes or in ways for which it was not intended.
 - Inspect all equipment before each use. Never use damaged equipment.
 - Read and comply with the "Code of Safe Practices for Suspended Powered Scaffolds" issued by the Scaffold & Access Industry Association (available from your supplier).

The information contained in this drawing is the sole property of Bee Access Products. Any reproduction in part or whole without the written permission of Bee Access Products is strictly prohibited.



Post Shore Adapter, Application

Scale	Do not scale drawing.	
1:60	By:	Date:
Drawn	TBO	08-31-23
Rev	TBO	08-31-23

Product Line/Project:		REV.
Rigging		A
Part No.	920349 App	Sheet 1 of 1

5 4 3 2 1