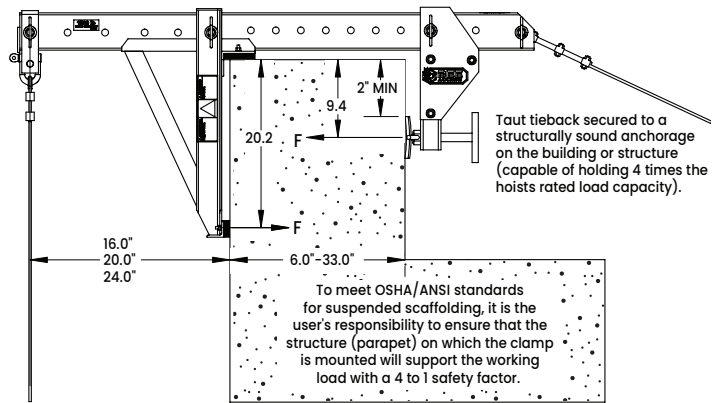
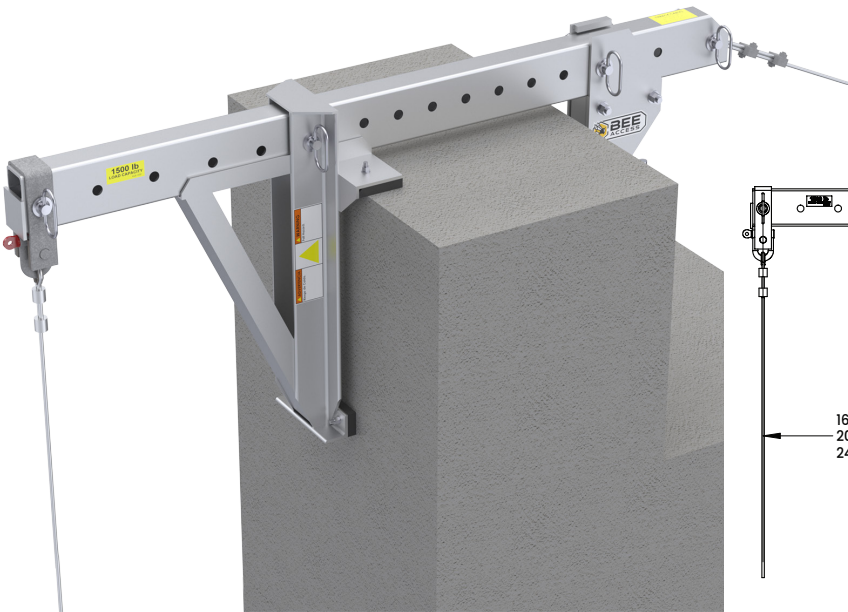




ALUMINUM PARAPET CLAMP (UP TO 24" OUTREACH)

SPEC SHEET



FOR USE AS HOIST SUSPENSION

Outreach (Inches)	1,000 lb Hoist		1,500 lb Hoist	
	Working Load (F)	Including 4:1 Safety Factor	Working Load (F)	Including 4:1 Safety Factor
16"	1,482 lb	5,928 lb	2,233 lb	8,892 lb
20"	1,852 lb	7,408 lb	2,778 lb	11,112 lb
24"	2,223 lb	8,892 lb	3,334 lb	13,336 lb

FOR USE AS LIFELINE ANCHOR

Ultimate Reaction Load (F):	
Outreach (Inches)	5,000 lb Ultimate Load
16"	7,407 lb
20"	9,259 lb
24"	11,111 lb

When using a 1,000 lb rated hoist at a 24" outreach:
 $F = 24" \times 1,000 \text{ lb} / (20.2" - 9.4") = 2,223 \text{ lb working load (8,892 lb incl. safety factor)}$

When using a 16" outreach: Ultimate Load (F):
 $F = 16" \times 5,000 \text{ lb} / (20.2" - 9.4") = 7,407 \text{ lb}$

DESCRIPTION

The Aluminum Parapet Clamp is lightweight, making it easy to transport and install onto parapet walls up to 33" thick. Added padding protects the top and front of the parapet wall. The Parapet Clamp has an adjustable outreach from 16" to 24" and is designed to suspend scaffolding, function as a tieback (except in Canada) or function as an anchorage point for lifelines (5000 lb ultimate load, except in Canada).

SPECIFICATIONS

- Part #:** 920152
- Load Capacity:** 1,500 lbs (incl. 4:1 safety factor)
5,000 lb ultimate load for use with lifeline
- Outreach:** 16", 20" or 24"
- Max. Throat Opening:** 33"
- Dimensions:** 62" x 27.56" x 12" (L x H x W)
- Weight:** 48 lbs
- Construction:** Aluminum