

PT 1200



Transport Platform

RACK & PINION

IDEAL FOR MEDIUM CONSTRUCTION AND RESTORATION PROJECTS

With a load capacity of 2650 lb (1200 kg) this transport platform is ideal for lifting men and/or materials on medium to large jobs. The footprint and single mast set up of this unit is still small enough for limited space jobs. This, along with a budget friendly price, makes the hoist highly productive and profitable.

- Overspeed parachute with auto-recovery system
- Galvanized steel finish with a non-slip cage floor
- Hoist controls with LED display



Main Features:

- Max. load capacity: 2650 lb (1200 kg)
- Max. speed: 66 ft/min (20 m/min)
- Max. height: 400 ft (120 m) (inquire about greater heights)
- Cabin dimensions: 79 in x 55 in x 82 in (200 cm x 140 cm x 208 cm)
- Noise emission value: <70 dB

A GREAT SOLUTION FOR MEDIUM SIZE JOBS



MAST SECTION



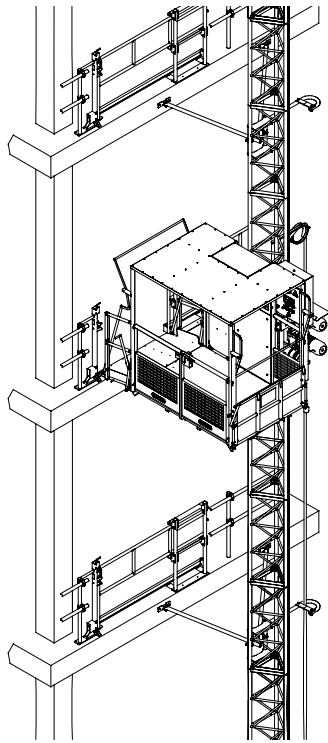
Triangle Mast

Length: 59" (1.5 m)
Weight: 104 lb (47 kg)

Mast Compatibility

Mast climber: PEC 120
Material hoist: MC 1000
Construction hoist: EPM 1000

DATA SHEET | PT 1200



Mast compatible with other Alba hoists



CPU and automatic floor management



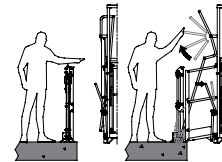
Landing levels call system



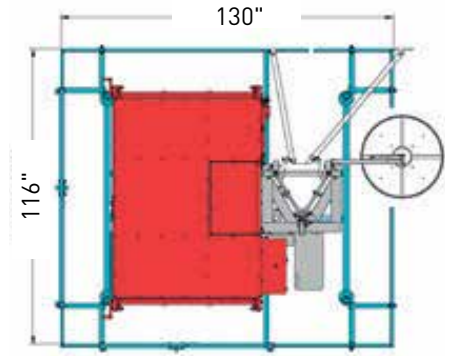
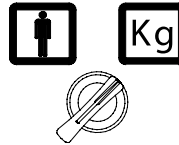
Overspeed parachute with auto-recovery system



Folding ramps with automatic side protection



Dual operation mode: personnel & material



SAFETY DEVICES INCLUDED AND OPTIONAL

INCLUDED

- Gear motors with electromechanical brake
- Overspeed parachute with auto-recovery system
- Emergency controlled descent
- Cage doors with automatic side protection
- Hoist control display with LED signaling
- Automatic floor management
- Buffers at the ground base
- Hoist control CPU, with event log
- Upper/lower end-track limit switch
- Safety end-track limit switches
- Overload detection device
- Mast presence switch
- Last mast without rack for safety
- Aux. catwalk for anchorage assembly
- Cage floor of non-slip galvanized steel
- Movement warning horn
- Phase detection control
- Emergency stop

OPTIONAL

- Landing doors with mechanical / electrical interlock
- Base enclosure with electrical interlock
- Aux. crane for mast assembly
- Motor with brake wear signal
- Landing levels call system
- Parachute test remote control
- Automatic greaser

TECHNICAL FEATURES - PT 1200-2V

Maximum capacity	7 people + 1100 lb (500 kg) material or 2650 lb (1200 kg) material only
Vertical speed	Personnel: 40 ft/min (12 m/min) Material: 66 ft/min (20 m/min)
Cage dimensions (LxWxH)	79 in x 55 in x 82 in (200 cm x 140 cm x 208 cm)
Motor power	2 x 3 kW
Motor control	FREQUENCY CONVERTER
Maximum height	400 ft (120 m)
Anchorage each (max.)	20 ft (6 m)
Height over last anchorage	5 ft (1.5 m)
First anchorage height	20 ft (6 m)
Loading height-to-ground	15.8 in (40 cm)
Base assembly weight	1000 lb (450 kg)
Noise emission value	<70 dB
Regulations reference	ANSI A92.10

ELECTRICAL DATA

Motor power	2 x 3 kW
Input power connection	380÷460 V – 50/60 Hz - 3 phase
Power consumption	7.5 kW
Nominal / Starting current	17 A
Supply power	20 kVA
Overload protection	3 x 25 A
Differential protection	
Calibration	25 A
Sensitivity	300 mA
Control voltage	48 V
Auxiliary hand tool socket	120 V – 50/60 Hz 16 A
Cable Section	4 x AWG 8



2145 Indian Road
West Palm Beach, FL 33409
T. 561.616.9003
F. 561.616.9005
info@beeaccess.com
www.beeaccess.com