

WALK THRU C-STIRRUP

OPERATOR'S MANUAL



DESCRIPTION

The high profile design of the Walk Thru C-Stirrup provides excellent stability, especially in work cage applications (1m or 2m) and when using porch brackets. The hoist mounting bracket can be bolted in four different positions to accommodate most traction hoists. Ready for use with an optional secondary wire rope.

Mounts virtually anywhere along the length of the platform to perfectly align the stirrups with the rigging points.

SPECIFICATIONS

Part No.: 934111

Load Capacity: 1,250 lb (also approved for 1,500 lb when using a BISOMAC 210 with overload)

Dimensions:

Default: 94.17" x 27.75" x 41.12" (HxWxD)

Collapsed: 101" x 27.75" x 28.75" (HxWxD)

Weight: 147 lb

Construction: Steel

Finish: Galvanized



WALK THRU C-STIRRUP

TABLE OF CONTENTS

	Page
Description and Specifications	1
Table of Contents	2
General Warning	3
Parts List	4
Dimensions	5
Assembly & Installation Instructions	6-8
Pre-Operation Checklist	9
Operating Instructions	10
Labels	11
Suspended Scaffold Pre-Operation Checklist	12-13



⚠️ GENERAL WARNING – READ FIRST ⚠️

**Safety is a matter of life or death for riggers, operators and by-standers.
This warning is your share of duties for achieving safety.**

Your duty to understand and comply:

1. It is imperative for safety and efficiency of operations that this manual be read and fully understood by the rigger and the operator before rigging and using this equipment. All instructions contained herein must be carefully and strictly followed, including applicable Bee Access guidelines.
2. Should you hand over this equipment under any conditions, to any party operating out of your control, you must attach a clean copy of this manual and draw to other party's attention that strictly following all the instructions therein is a matter of life or death.
3. Before using this equipment, the rigger and the operator must become aware of all requirements of federal, state, provincial and local safety regulations, applicable to the entire suspended scaffold system and any component of it.
4. Never load this equipment above its **rated load of 1250 lb.**
5. Bee Access declines any responsibility for any special layouts, rigging or structural combinations beyond the descriptions of this manual.
6. Bee Access declines any responsibility for any other use of this equipment, than described in this manual.

Your duty to inspect and maintain:

7. Keep this manual available at all times for easy reference whenever required. Extra copies are available from Bee Access and/or your equipment supplier.
8. Carefully take notice of all labels affixed to the equipment. Never rig or operate this equipment if any label, normally fixed on it is obscured or missing. Replacement labels are available from Bee Access and/or your equipment supplier.
9. Every time the suspended scaffold is to be rigged or used, check that the Tieback Anchor, rigging, hoists, platform and other components are complete and in good working condition, prior to proceeding. All wire ropes and safety lines and their protective sleeves should be inspected at the beginning of every shift. Check for wear and abrasion due to contact with rigging equipment and/or the building structure.
10. **Daily inspection before use is to be carried out by a competent person.** Thoroughly check overall condition for bent, damaged or worn parts and broken welds. A signed and dated inspection record should be maintained for these purposes.
11. Make sure to comply with inspection and maintenance guidelines of all other components used in the suspended scaffold system.
12. Bee Access declines any responsibility for consequences of repairs or modifications brought out of its control to the product, specifically by replacement of original parts or repairs by another manufacturer.

Your duty to train and control people:

Compliance with safety rules extends to rigging operations which must be carried out only after securing safe conditions of operation as per safety regulations and requirements.

13. An operator must not be assigned to rigging, de-rigging, moving or operating a suspended scaffold if that person is not:
 - a. Mentally and physically fit for the purpose, especially at heights
 - b. Competent for the job to be performed
 - c. Familiar with the scaffold equipment as rigged
 - d. Professionally trained for working under the above requirements
14. Never let the equipment be moved or operated by unauthorized personnel. Keep the equipment, either rigged or unrigged, out of reach of unauthorized persons, while out of operation.
15. Every suspended job must be placed under the control of a person having the required competence and authority for checking that all the instructions prescribed by this manual be regularly and efficiently carried out.

Your duty to safety of the entire scaffold system:

A suspended scaffold system is made up of numerous pieces of equipment; all of these components can contribute to the required safety only if:

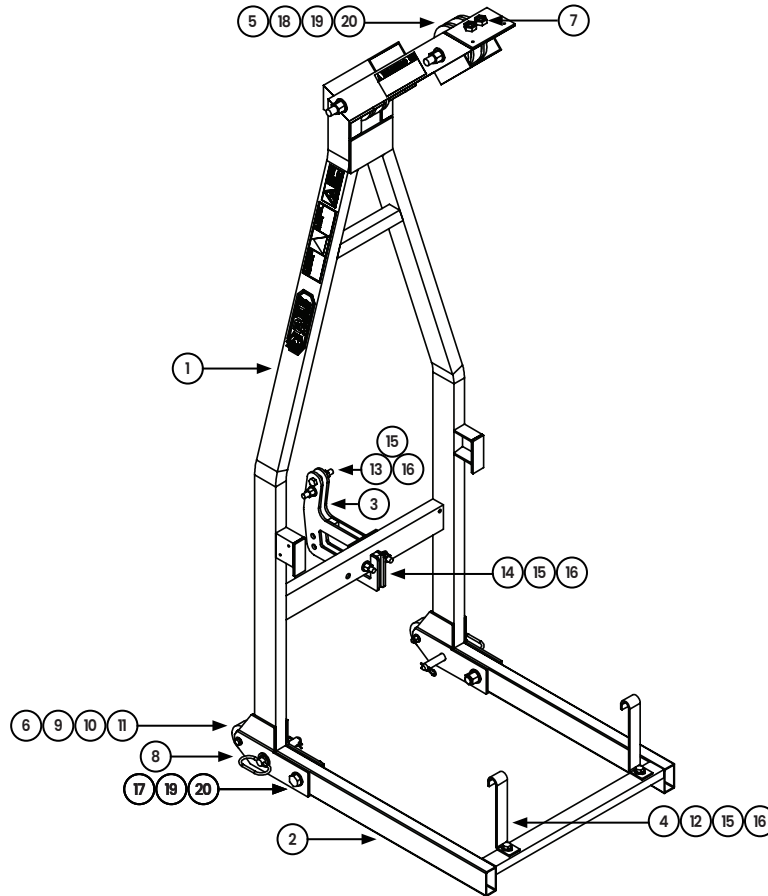
16. Other components meet the requirements of the applicable safety regulations and requirements, are of the proper quality, assembled to form a safe and efficient suspended system and compatibility is approved by Bee Access.
17. The supporting structure and tie-backs can withstand every load to be applied, either static or dynamic, during rigging or operating of the suspended scaffold equipment.
18. All the requirements in strength and resistance are obtained with the necessary safety coefficients (call your supplier for regulations and professional standards).
19. All the calculations, design and subsequent work necessary to meet the above requirements have been made by a competent person on the basis of proper technical information regarding the site.

NOTE: This manual is neither a regulations compliance manual nor a general training guide on suspended scaffold operations. You must refer to proper instructions delivered by your supplier of the other pieces of equipment included in your suspended scaffold installation. Whenever calculations and specific rigging and handling are involved, the operator should be professionally trained to that end and secure relevant information prior to commencing such work.

Read and comply with the “Code of Safe Practices for Suspended Powered Scaffolds” issued by the Scaffold Industry Association (also available from Bee Access or your supplier).

WALK THRU C-STIRRUP

PARTS LIST

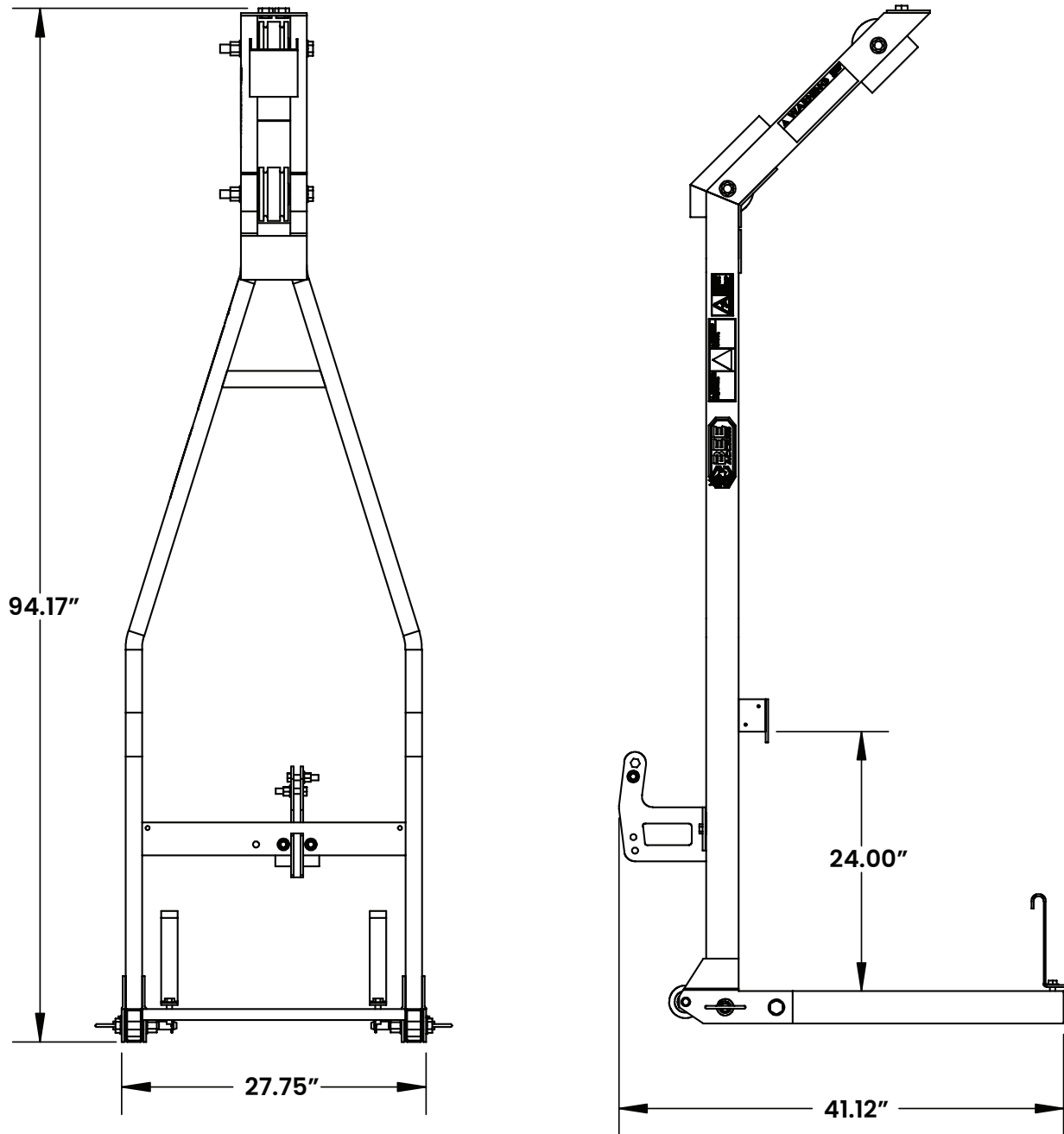


Item	Qty.	Part No.	Description	Item	Qty.	Part No.	Description
1	1	530209	WTS, Frame Weldment	11	2	110332	Nut, Lock 3/8"-16
2	1	534109	WTS, Base U-Frame	12	2	110252-0	Bolt 1/2"-13 x 2"
3	1	534112	WTS, Hoist Mounting Bracket	13	2	110252-5	Bolt 1/2"-13 x 2.5"
4	2	534102	WTS, Toeboard Bracket	14	2	110253-0	Bolt 1/2"-13 x 3"
5	2	834117	Double Groove Sheave, 4-7/8"	15	8	110451	Washer, 1/2" Flat
6	2	834107	Wheel, 3" Metal	16	6	110352	Nut, Lock 1/2"-13
7	2	834109	Inlet Cable Guide	17	2	110283-5	Bolt 3/4"-10 x 3.5"
8	2	110110	Hitch Pin 3/4" x 4.5"	18	2	110288-0	Bolt 3/4"-10 x 8"
9	2	110233-0	Bolt 3/8"-16 x 3"	19	8	110480	Washer, 3/4" Flat SAE
10	4	110441	Washer, 3/8" Flat	20	4	110382	Nut, Lock 3/4"-10

Spare parts used for all equipment must be in accordance with the product, no substitutions are allowed.

WALK THRU C-STIRRUP

DIMENSIONS



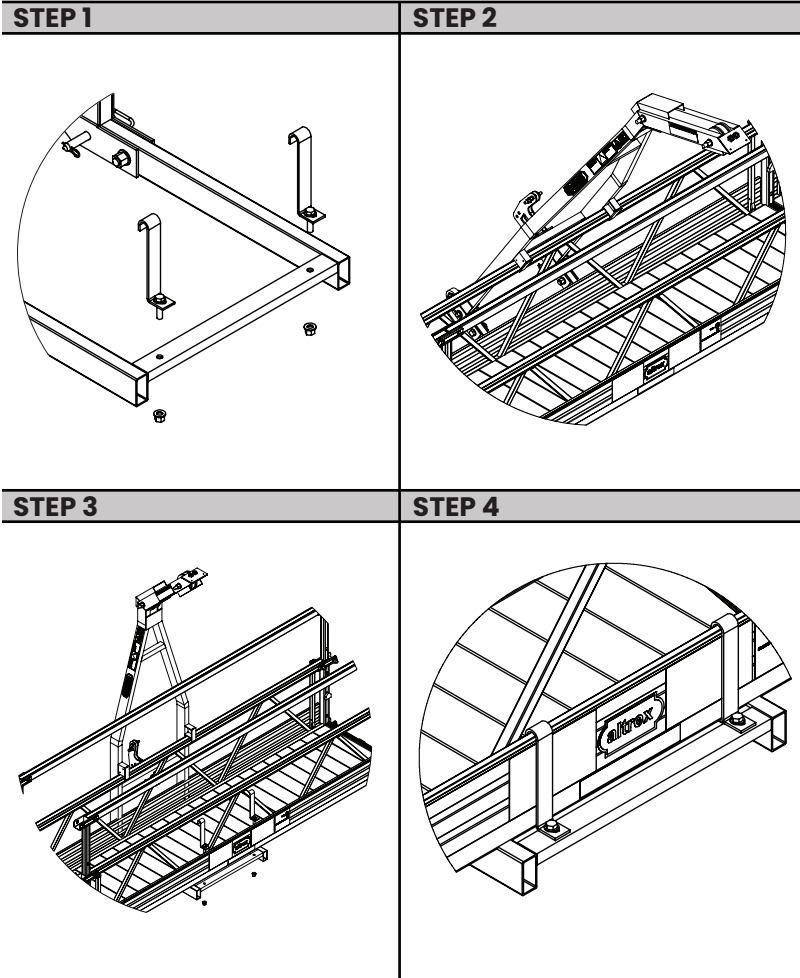
WARNING

Any assembly of this equipment other than in strict accordance with these instructions shall be at the Operator's risk and may result in death or serious injury.

WALK THRU C-STIRRUP

ASSEMBLY & INSTALLATION INSTRUCTIONS

Mounting Stirrup and Hoist to Platform



Tools Required:

- 3/4" socket w/ ratchet
- 3/4" wrench or adj. wrench

NOTE:

Assembly and operation must be performed or supervised by a trained and competent person. Read and fully understand these instructions before proceeding with assembly/operation. Inspect all lock nuts to make sure they are functional. Fasten all bolts snug-tight (1/3 to 1/2 turn past pretensioning) unless otherwise specified. Make sure warning/rating labels are in place, legible and have been read.

Assembly & Installation Instructions:

1. Remove the toeboard brackets by loosening the 1/2" hardware supplied and remove pins holding the base u-frame in place so that it swings freely.
2. Pick up and rest the tabs sticking out from the Walk Thru C-Stirrup onto the midrail of the platform.
3. Rotate the Walk Thru C-Stirrup so that it sits flush on the underside of the platform and position/slide the Walk Thru C-Stirrup into the desired position (directly below the rigging point).
4. Reinstall pins to lock the base u-frame at 90° and reattach the toeboard brackets to the side frame toeboard and Walk Thru C-Stirrup using the 1/2" hardware supplied.

NOTE: When Walk Thru C-Stirrup is straddling a platform u-frame, flip the base u-frame over to allow for more clearance. Longer bolts will need to be used when reattaching the toeboard brackets to the base u-frame.

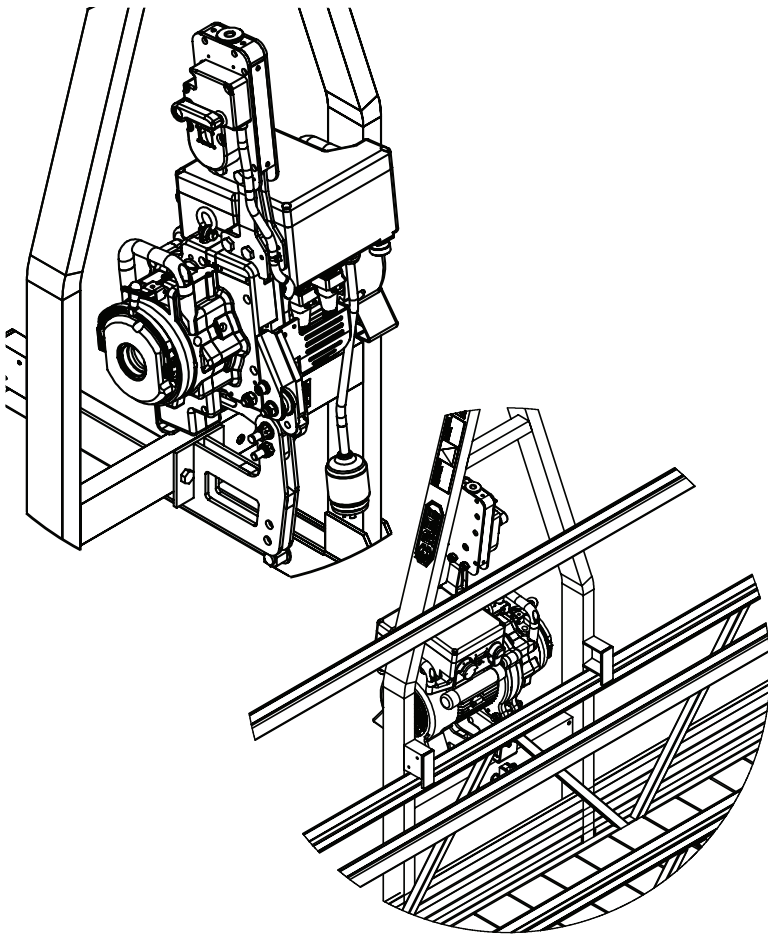
⚠ WARNING

- It is the user's responsibility to read and understand the warnings listed on this page and to use the equipment with these warnings in mind.
- Any installation/use of this equipment other than in strict accordance with these instructions shall be at the operator's risk and may result in death or serious injury.
- It is the user's responsibility to ensure that the distance between rigging points is equal to the distance between the hoist suspension points.
- Make sure the warning labels are present and legible.
- Do not alter the product and never use it for purposes in which it was not intended.
- Use only Bee Access provided hardware. Do not substitute.
- Inspect all equipment before use.
- Never use damaged equipment.
- Torque hardware to manufacturer's specifications.

WALK THRU C-STIRRUP

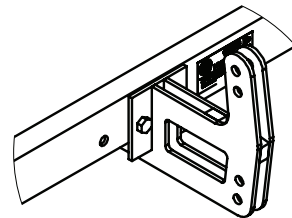
ASSEMBLY & INSTALLATION INSTRUCTIONS Mounting Stirrup and Hoist to Platform (continued)

STEP 5

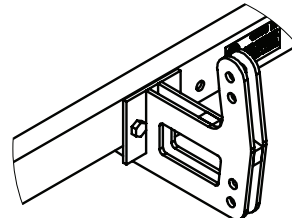


Assembly & Installation Instructions (continued):

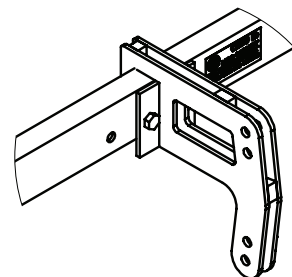
5. Attach the hoist to the hoist mounting bracket with the supplied 1/2" hardware and tighten the hardware snug-tight (1/3 to 1/2 turn past pretensioning). Verify that the hoist mounting bracket is in the correct position for the hoist being used (see examples 1-4 below for correct hoist mounting positions).



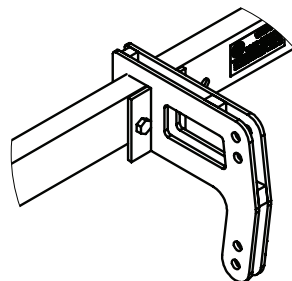
Example 1:
 Upright & Right
 Hoists
 - BISOMAC (see NOTE)
 - PC3



Example 2:
 Upright & Left
 Hoists
 - BISOMAC (see NOTE)
 - Compact



Example 3:
 Upside Down & Right
 Hoists
 - PC1



Example 4:
 Upside Down & Left
 Hoists
 - Astro
 - Tractel

⚠ WARNING

- It is the user's responsibility to read and understand the warnings listed on this page and to use the equipment with these warnings in mind.
- Any installation/use of this equipment other than in strict accordance with these instructions shall be at the operator's risk and may result in death or serious injury.
- It is the user's responsibility to ensure that the distance between rigging points is equal to the distance between the hoist suspension points.
- Make sure the warning labels are present and legible.
- Do not alter the product and never use it for purposes in which it was not intended.
- Use only Bee Access provided hardware. Do not substitute.
- Inspect all equipment before use.
- Never use damaged equipment.
- Torque hardware to manufacturer's specifications.

NOTE: Bisomac hoists with suspension wire rope can only be mounted in the Upright & Right AND Left positions. When the slack rope device is added for a secondary wire rope it must be mounted Upright & Left.

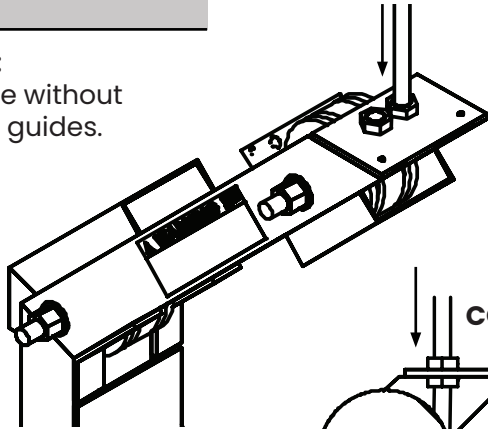
WALK THRU C-STIRRUP

ASSEMBLY & INSTALLATION INSTRUCTIONS

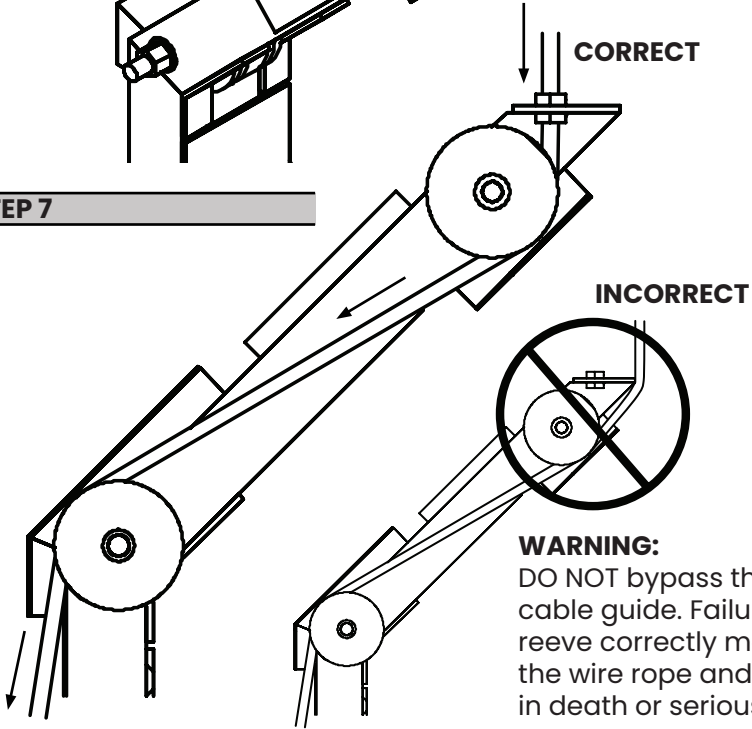
Reeving the Wire Rope Through the Stirrup

STEP 6

WARNING:
 DO NOT use without inlet cable guides.



STEP 7

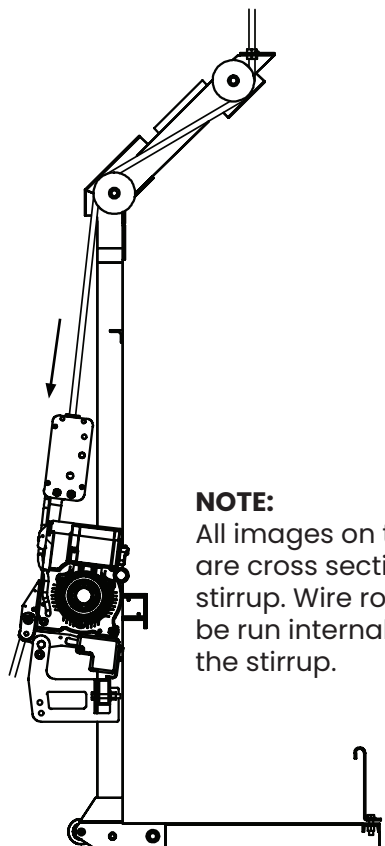


WARNING:
 DO NOT bypass the inlet cable guide. Failure to reeve correctly may cut the wire rope and result in death or serious injury.

Assembly & Installation Instructions (continued):

6. Reeve the wire rope through the appropriate inlet cable guide with respect to the hoist and the hoist mounting bracket position as discussed in step 5. If the bracket is on right, reeve the wire rope through the right inlet guide and vice versa. An optional second wire rope can be inserted in the adjacent inlet cable guide when the mounting bracket is on the right side.
7. Reeve the wire rope around the two Double Groove Sheaves.
8. Reeve the wire rope through the hoist and verify when tension is on the wire rope and that it is seated correctly in the Double Groove Sheaves.

STEP 8



NOTE:
 All images on this page are cross sections of the stirrup. Wire rope should be run internally through the stirrup.

⚠ WARNING

- It is the user's responsibility to read and understand the warnings listed on this page and to use the equipment with these warnings in mind.
- Any installation/use of this equipment other than in strict accordance with these instructions shall be at the operator's risk and may result in death or serious injury.
- It is the user's responsibility to ensure that the distance between rigging points is equal to the distance between the hoist suspension points.
- Make sure the warning labels are present and legible.
- Do not alter the product and never use it for purposes in which it was not intended.
- Use only Bee Access provided hardware. Do not substitute.
- Inspect all equipment before use.
- Never use damaged equipment.
- Torque hardware to manufacturer's specifications.



WALK THRU C-STIRRUP

PRE-OPERATION CHECKLIST

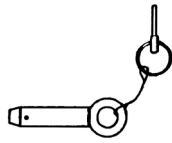
This checklist provides general inspection guidelines concerning this stirrup. Be aware that this checklist is not all inclusive and report any unusual findings beyond this check list.

External conditions such as misuse, abuse and long term factors such as weather, wear and fatigue, can severely weaken components to the point where they can become unsafe for use. The purpose of this checklist is to spot any defects before they become a hazard. In addition, check the instruction manuals and warning labels of all other components of the suspended scaffold system for additional information on its use and inspection procedures. Perform a thorough component check prior to each use of this equipment.

WARNING: Failure to check the equipment prior to each use can result in death or serious injury.

If you check off any boxes under "YES" or you are in doubt about any item, immediately contact your supervisor or supplier and **DO NOT** use this equipment until the problem is corrected.

YES NO

- Cracked or torn welds.
- Cracked, deformed or missing parts that could weaken the component(s).
- Deformations that do not allow proper installation or operation
- Missing or illegible labels.
- Missing or defective parts.
- Missing Quick Pins or Lynch Pins (A) where applicable. 
- Penetrating rust (surface rust is acceptable). When in doubt, consult a competent person.
- Excessive dirt and debris that interferes with installation or operation.
- Worn pulleys and/or bearings.
- Worn inlet cable guides.
- Worn lock nuts and/or other defective or missing fastening hardware.
- Make sure that the stirrups are aligned directly under their suspension points.
- Wire rope is correctly reeved through the inlet guide and sheaves.

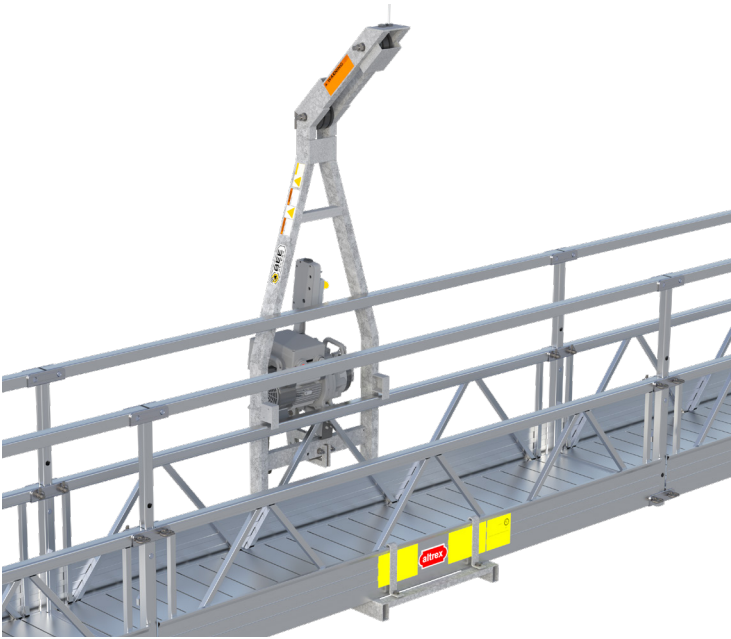
Inspected by: _____

Signature: _____

Date: _____

WALK THRU C-STIRRUP

OPERATING INSTRUCTIONS



NOTE:

- All pictures and drawings in this manual are for illustrative purposes only.
- This manual is intended for general information only. Because of the many variables which affect the performance of this equipment, some of the information in this manual may not apply. For specific applications, contact Bee Access.
- Erection, use, maintenance, and disassembly must conform to current Bee Access instructions as well as ALL federal, state, provincial, and local regulations.

⚠ WARNING

- It is the user's responsibility to read and understand the warnings listed on this page and to use the equipment with these warnings in mind.
- Any installation/use of this equipment other than in strict accordance with these instructions shall be at the operator's risk and may result in death or serious injury.
- It is the user's responsibility to ensure that the distance between rigging points is equal to the distance between the hoist suspension points.
- Make sure the warning labels are present and legible.
- Do not alter the product and never use it for purposes in which it was not intended.
- Use only Bee Access provided hardware. Do not substitute.
- Inspect all equipment before use.
- Never use damaged equipment.
- Torque hardware to manufacturer's specifications.

Operation Instructions:

1. After the inspection is completed, commence using the platform.

⚠ Warning:

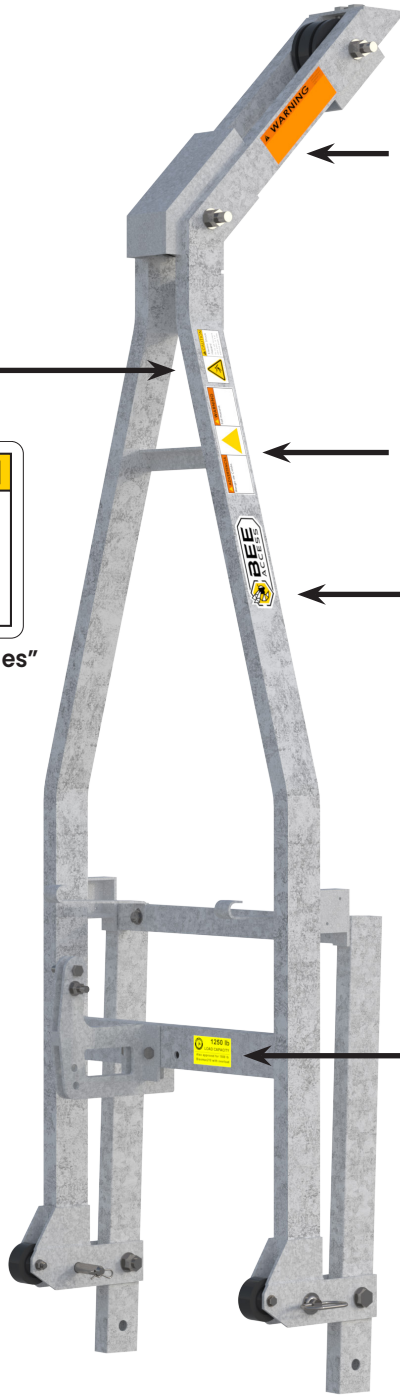
1. Never overload the platform and stirrups. Check the allowable platform and stirrup load ratings.
2. DO NOT alter the equipment in any way and DO NOT use in ways for which it was not intended.
3. Keep the platform level at all times.
4. Keep the equipment clean and make sure it is inspected and maintained every 6 months or less by personnel authorized by Bee Access.
5. DO NOT use acids and keep the platform free from debris, especially oil or grease which can cause a slipping hazard.
6. NEVER take chances! If in doubt regarding the safety or use of the suspended scaffold system, consult a competent person, your supervisor and/or supplier.

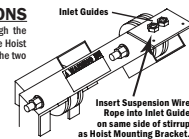
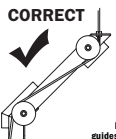

Before/During Use:

1. Listen for any unusual noises while traveling up and down that could indicate a problem with the stirrup alignment, inlet guide and/or pulleys.
2. Inspect the wire rope during ascent or descent for damage. DO NOT use wire rope that is kinked, birdcaged, corroded, undersized or damaged in any way. Always allow the wire rope to rotate freely below the hoist.
3. Always attach fall protection equipment when working on suspended scaffolds, or near unprotected edges.
4. DO NOT operate the suspended platform within 10 ft of live electrical power lines, unless proper precautions are taken. Consult the power service company for advice.
5. DO NOT use the platform when the wind speed exceeds 25 mph.


WALK THRU C-STIRRUP

LABELS



<p>WARNING Failure to properly install and use this product may result in death or serious injury. Read the instruction manual and follow the manufacturer's recommended procedures.</p>			
<p>REEVING INSTRUCTIONS Reeve the suspension wire rope through the appropriate Inlet Guide in relation to the Hoist Mounting Bracket position and around the two double groove sheaves. An optional second wire rope can be inserted in the adjacent Inlet Guide.</p>	 <p>INLET GUIDES Insert Suspension Wire Rope into Inlet Guide on same side of stirrup as Hoist Mounting Bracket.</p>	<p>CORRECT</p> 	<p>INCORRECT Do NOT bypass the inlet guide.</p>  <p>Do NOT use stirrup without inlet guides in place and in good condition.</p>

WL-WTS "Warning Label, WTS Reeving"

<p>ADVERTENCIA Riesgo de Caída. Fallas en la instalación o uso de este producto pueden resultar en muerte o lesiones graves. Siga los procedimientos recomendados por el fabricante. Los sistemas de andamios suspendidos deben ser instalados y desmontados por o bajo la supervisión de una persona entrenada y competente. No altere este producto o cualquiera de sus componentes y nunca lo use para propósitos o de manera para la cual no han sido diseñados. Inspeccionar todo el equipo antes de cada uso. Nunca use equipo dañados.</p>	 <p>www.beeaccess.com part# WL-FALL</p>	<p>WARNING Fall Hazard. Failure to properly install and use this product may result in death or serious injury. Follow the manufacturer's recommended procedures. Suspended Scaffold Systems must be installed and dismantled by, or under the supervision of, a trained and competent person. Do not alter this product and never use it for purposes or in ways for which it was not intended. Inspect all equipment before each use. Never use damaged equipment.</p>
---	---	--

WL-FALL "Warning Label, Fall Hazard"

 <p>www.beeaccess.com #WL-EPL</p>	<p>CAUTION Electric Shock Hazard Do not use this equipment within 10 ft of exposed and energized electric power lines.</p>
---	--

WL-EPL Label, "Electrical Power Lines"



LB-LOGO25 Label, 2.5" Bee Logo

 <p>1250 LB LOAD CAPACITY</p> <p>Also approved for 1500 lb Bisomac210 with overload</p>
--

LB-1250B Label, "1250 lb Capacity WTS"



SUSPENDED SCAFFOLD PRE-OPERATION CHECKLIST

This checklist provides a guideline to identify any potential hazards in the design, installation and/or defects of the equipment to make sure the suspended scaffold system is safe for use. Be aware that this checklist is not all inclusive and that manufacturer’s operating instructions and labels must be followed in conjunction with this checklist. Read and understand the CODE OF SAFE PRACTICES published by the Scaffold & Access Industry Association. Follow federal and local safety standards.

If you check off any boxes under “NO”, or are in doubt about any item, immediately contact your supervisor or supplier and do not use this equipment until the problem is corrected.

YES	NO	RIGGING EQUIPMENT	YES	NO	SUSPENDED PLATFORM
<input type="checkbox"/>	<input type="checkbox"/>	A competent person has determined that the structure is able to support the loads imposed by the rigging equipment.	<input type="checkbox"/>	<input type="checkbox"/>	The platform is of proper design for the application and has been correctly assembled per the manufacturer’s instructions.
<input type="checkbox"/>	<input type="checkbox"/>	The rigging equipment is of proper design for the application and has been correctly assembled and installed per the manufacturer’s instructions.	<input type="checkbox"/>	<input type="checkbox"/>	The platform stirrups are in line with the rigging equipment.
<input type="checkbox"/>	<input type="checkbox"/>	All temporary rigging equipment is properly tied back to a structurally sound anchorage.	<input type="checkbox"/>	<input type="checkbox"/>	The live load does not exceed the platform manufacturer’s rated load capacity.
<input type="checkbox"/>	<input type="checkbox"/>	All welds are in good condition and not cracked, torn or excessively corroded.	<input type="checkbox"/>	<input type="checkbox"/>	All welds are in good condition and not cracked, torn or excessively corroded.
<input type="checkbox"/>	<input type="checkbox"/>	All components are in good order and there are no missing, bent or damaged parts that could weaken the system. All mounting holes are free from deformation/cracks.	<input type="checkbox"/>	<input type="checkbox"/>	All components are in good order and there are no missing, bent or damaged parts that could weaken the system. All mounting holes are free from deformation/cracks.
<input type="checkbox"/>	<input type="checkbox"/>	When using davits and sockets or other PI equipment, they are correctly secured and installed, and the inspection records are up to date.	<input type="checkbox"/>	<input type="checkbox"/>	The platform is of proper design for the application and has been correctly assembled per the manufacturer’s instructions.
<input type="checkbox"/>	<input type="checkbox"/>	A competent person has determined that there is no penetrating rust on steel parts.	<input type="checkbox"/>	<input type="checkbox"/>	A competent person has determined that there is no penetrating rust on steel parts.
<input type="checkbox"/>	<input type="checkbox"/>	The hardware is grade 5 or better, in good condition and the lock nuts are not worn.	<input type="checkbox"/>	<input type="checkbox"/>	The hardware is grade 5 or better, in good condition and the lock nuts are not worn.
<input type="checkbox"/>	<input type="checkbox"/>	All labels are present and clearly legible.	<input type="checkbox"/>	<input type="checkbox"/>	All labels are present and clearly legible.
<input type="checkbox"/>	<input type="checkbox"/>	The quickpins are in good working condition with properly locking lynch pins.	<input type="checkbox"/>	<input type="checkbox"/>	The quickpins are in good working condition with properly locking lynch pins.
<input type="checkbox"/>	<input type="checkbox"/>	When using outrigger beams, the number of counterweights match the outreach and hoist rated load capacity.	<input type="checkbox"/>	<input type="checkbox"/>	The deck is free from excessive dirt and debris that could cause a slipping hazard or affect the load capacity and/or proper functioning/ installation of the component(s).
			<input type="checkbox"/>	<input type="checkbox"/>	The stirrup pulleys, bearings and inlet cable guides are in good condition.
			<input type="checkbox"/>	<input type="checkbox"/>	The platform is free from chemical corrosion and/or excessive sand blasting damage.
			<input type="checkbox"/>	<input type="checkbox"/>	The platform is at least 10 ft away from live unprotected power lines.
			<input type="checkbox"/>	<input type="checkbox"/>	The weather conditions are acceptable for safe use of the platform and the wind gusts do not exceed 25 mph for a multiple point suspended platform or 20 mph for a single point work cage or bosun’s chair.



2145 Indian Road, West Palm Beach, FL 33409
Phone: 561.616.9003 www.beeaccess.com

SUSPENDED SCAFFOLD PRE-OPERATION CHECKLIST

CHECKLIST CONTINUED

YES	NO	HOIST AND WIRE ROPE
<input type="checkbox"/>	<input type="checkbox"/>	The hoists are of proper design for the application and have been correctly installed per the manufacturer's instructions.
<input type="checkbox"/>	<input type="checkbox"/>	The manufacturer's operating instructions have been read and are understood.
<input type="checkbox"/>	<input type="checkbox"/>	The daily tests have been performed according to the hoist operating manual.
<input type="checkbox"/>	<input type="checkbox"/>	The hoists are in proper working order.
<input type="checkbox"/>	<input type="checkbox"/>	The electric cable or air hose connections have been inspected and are safe for use.
<input type="checkbox"/>	<input type="checkbox"/>	The power supply is adequate for the number and type of hoists used.
<input type="checkbox"/>	<input type="checkbox"/>	The length of the wire rope is long enough to reach the ground and is properly attached to the support equipment. All fittings are checked under load.
<input type="checkbox"/>	<input type="checkbox"/>	The wire rope has been inspected and is in good working condition.

YES	NO	FALL PROTECTION SYSTEM
NOTE: No worker shall enter a suspended platform, work cage or bosun's chair unless they are "hooked-up" in a safe manner according to applicable federal and local standards.		
<input type="checkbox"/>	<input type="checkbox"/>	Each full body harness is the proper size, has the D-ring in the center of the back and has been checked for safe use.
<input type="checkbox"/>	<input type="checkbox"/>	Each worker has their own independent fall protection system.
<input type="checkbox"/>	<input type="checkbox"/>	Each rope grab has been checked for correct installation and operation.
<input type="checkbox"/>	<input type="checkbox"/>	Each lanyard has been checked for correct installation and safe use.
<input type="checkbox"/>	<input type="checkbox"/>	Each lifeline has been checked for safe use and is correctly installed with edge protection to an independent anchor point capable of holding a 5000 lb. ultimate load.

NOTES:

- Suspended Scaffold Systems must be installed and dismantled by, or under the supervision of, a trained and competent person.**
- Check all components before each work shift.**
- Never use damaged equipment.**
- Never overload the equipment.**
- Do not alter the equipment.**
- Do not use this equipment for purposes or in ways for which it was not intended.**

DATE: _____

INSPECTED BY: _____ SIGNATURE: _____

REMARKS: _____

