



LOW PROFILE C-STIRRUP

OPERATOR'S MANUAL



DESCRIPTION

The low profile walk through stirrup's narrow design provides the greatest degree of versatility when aligning with suspension cables and mounting to the platform. The low profile design allows workers the ability to complete tasks on the uppermost part of a structure. The universal hoist mount on the back of the stirrup allows for maximum working space inside the platform while still allowing for easy access to hoist controls.

Other features include:

- Fold-up design for easier storage and transportation
- Integrated caster for easier installation & movement
- Compact size fits through 18" diameter openings.

SPECIFICATIONS

Part No.: 934106

Load Capacity: 1,500 lb

Dimensions:

Default: 72.94" x 8.25" x 44.13" (HxWxD)

Collapsed: 81.57" x 8.25" x 19.75" (HxWxD)

Weight: 126 lb

Construction: Steel

Finish: Galvanized

Pulleys: Double Groove Sheave with Stainless Steel Bearings



LOW PROFILE C-STIRRUP

TABLE OF CONTENTS

	Page
Description and Specifications	1
Table of Contents	2
General Warning	3
Parts List	4
Dimensions	5
Assembly & Installation Instructions	6-8
Pre-Operation Checklist	9
Operating Instructions	10
Labels	11
Suspended Scaffold Pre-Operation Checklist	12-13



⚠️ GENERAL WARNING – READ FIRST ⚠️

**Safety is a matter of life or death for riggers, operators and by-standers.
This warning is your share of duties for achieving safety.**

Your duty to understand and comply:

1. It is imperative for safety and efficiency of operations that this manual be read and fully understood by the rigger and the operator before rigging and using this equipment. All instructions contained herein must be carefully and strictly followed, including applicable Bee Access guidelines.
2. Should you hand over this equipment under any conditions, to any party operating out of your control, you must attach a clean copy of this manual and draw to other party's attention that strictly following all the instructions therein is a matter of life or death.
3. Before using this equipment, the rigger and the operator must become aware of all requirements of federal, state, provincial and local safety regulations, applicable to the entire suspended scaffold system and any component of it.
4. Never load this equipment above its **rated load of 1500 lb.**
5. Bee Access declines any responsibility for any special layouts, rigging or structural combinations beyond the descriptions of this manual.
6. Bee Access declines any responsibility for any other use of this equipment, than described in this manual.

Your duty to inspect and maintain:

7. Keep this manual available at all times for easy reference whenever required. Extra copies are available from Bee Access and/or your equipment supplier.
8. Carefully take notice of all labels affixed to the equipment. Never rig or operate this equipment if any label, normally fixed on it is obscured or missing. Replacement labels are available from Bee Access and/or your equipment supplier.
9. Every time the suspended scaffold is to be rigged or used, check that the Tieback Anchor, rigging, hoists, platform and other components are complete and in good working condition, prior to proceeding. All wire ropes and safety lines and their protective sleeves should be inspected at the beginning of every shift. Check for wear and abrasion due to contact with rigging equipment and/or the building structure.
10. **Daily inspection before use is to be carried out by a competent person.** Thoroughly check overall condition for bent, damaged or worn parts and broken welds. A signed and dated inspection record should be maintained for these purposes.
11. Make sure to comply with inspection and maintenance guidelines of all other components used in the suspended scaffold system.
12. Bee Access declines any responsibility for consequences of repairs or modifications brought out of its control to the product, specifically by replacement of original parts or repairs by another manufacturer.

Your duty to train and control people:

Compliance with safety rules extends to rigging operations which must be carried out only after securing safe conditions of operation as per safety regulations and requirements.

13. An operator must not be assigned to rigging, de-rigging, moving or operating a suspended scaffold if that person is not:
 - a. Mentally and physically fit for the purpose, especially at heights
 - b. Competent for the job to be performed
 - c. Familiar with the scaffold equipment as rigged
 - d. Professionally trained for working under the above requirements
14. Never let the equipment be moved or operated by unauthorized personnel. Keep the equipment, either rigged or unrigged, out of reach of unauthorized persons, while out of operation.
15. Every suspended job must be placed under the control of a person having the required competence and authority for checking that all the instructions prescribed by this manual be regularly and efficiently carried out.

Your duty to safety of the entire scaffold system:

A suspended scaffold system is made up of numerous pieces of equipment; all of these components can contribute to the required safety only if:

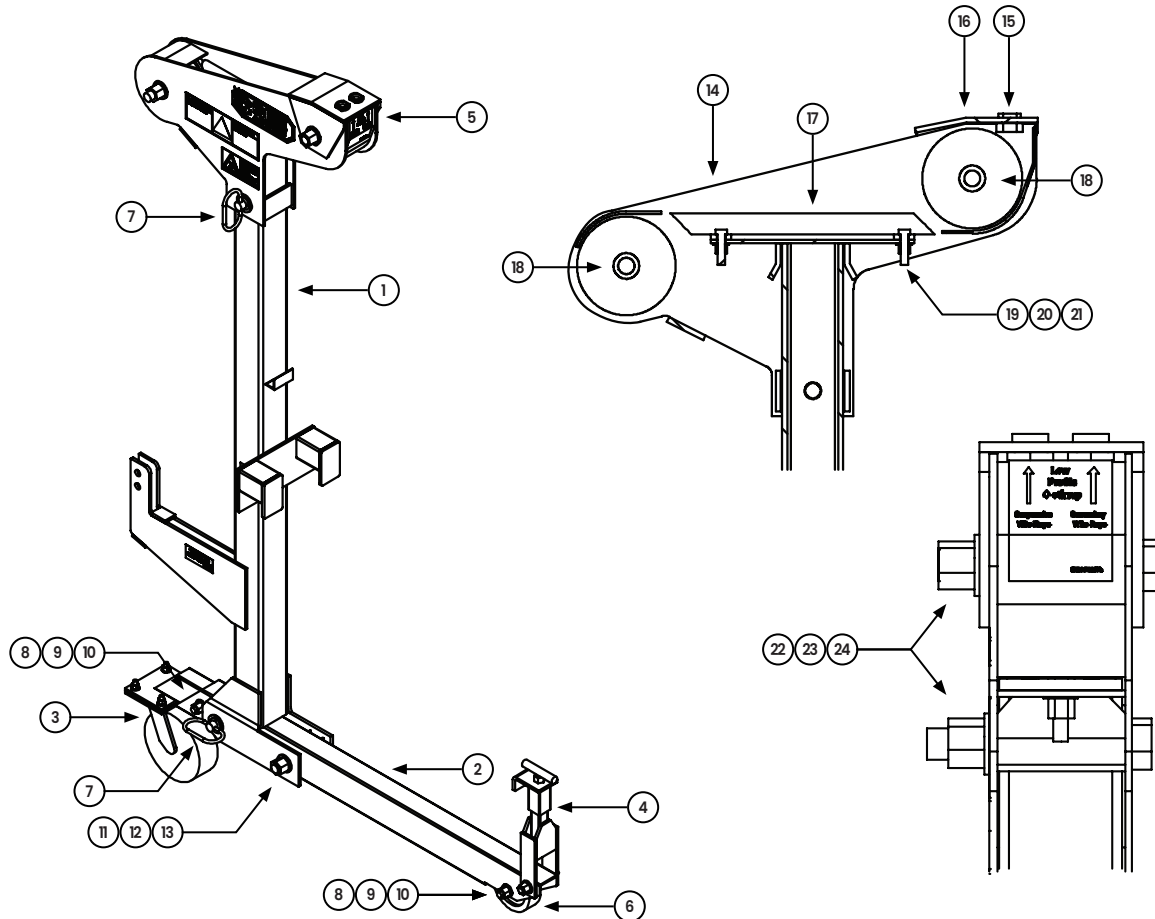
16. Other components meet the requirements of the applicable safety regulations and requirements, are of the proper quality, assembled to form a safe and efficient suspended system and compatibility is approved by Bee Access.
17. The supporting structure and tie-backs can withstand every load to be applied, either static or dynamic, during rigging or operating of the suspended scaffold equipment.
18. All the requirements in strength and resistance are obtained with the necessary safety coefficients (call your supplier for regulations and professional standards).
19. All the calculations, design and subsequent work necessary to meet the above requirements have been made by a competent person on the basis of proper technical information regarding the site.

NOTE: This manual is neither a regulations compliance manual nor a general training guide on suspended scaffold operations. You must refer to proper instructions delivered by your supplier of the other pieces of equipment included in your suspended scaffold installation. Whenever calculations and specific rigging and handling are involved, the operator should be professionally trained to that end and secure relevant information prior to commencing such work.

Read and comply with the “Code of Safe Practices for Suspended Powered Scaffolds” issued by the Scaffold Industry Association (also available from Bee Access or your supplier).

LOW PROFILE C-STIRRUP

PARTS LIST

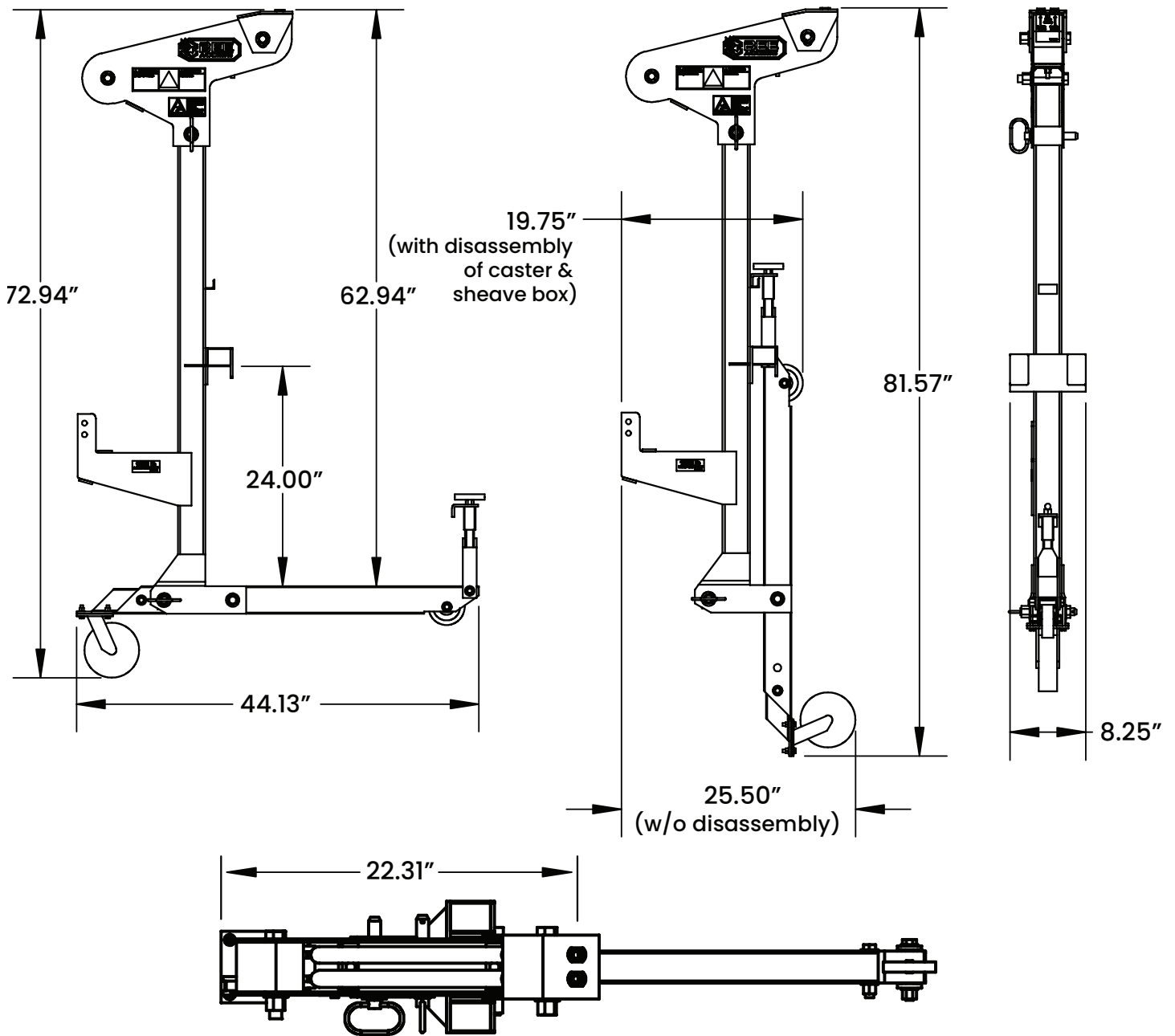


Item	Qty.	Part No.	Description	Item	Qty.	Part No.	Description
1	1	530258	LPCS, Post Weldment	13	1	110382	Nut, Lock 3/4"-10
2	1	530263	LPCS, Base Tube	14	1	334107-1	LPCS, Sheave Box Weldment
3	1	334116	LPCS, Caster Stem Assembly	15	2	834109	Inlet Cable Guide
4	1	334105	LPCS, Toeboard Bracket	16	1	334106	Alum. LPCS, Mast Head Guide
5	1	334107	LPCS, Sheave Box Assembly	17	1	334111	LPCS, Alum. Guide Tube
6	1	834108	Wheel, 4in.	18	2	834117	Double Groove Sheave, 4-7/8"
7	2	110110	Hitch Pin 3/4" x 4.5"	19	2	110231-5	Bolt 3/8"-16 x 1.5"
8	2	110253-0	Bolt 1/2"-13 x 3"	20	2	110441	Washer, 3/8" Flat
9	4	110451	Washer, 1/2" Flat	21	2	110332	Nut, Lock 3/8"-16
10	2	110352	Nut, Lock 1/2"-13	22	2	110285-0	Bolt 3/4"-10 x 5"
11	1	110285-0	Bolt 3/4"-10 x 5"	23	2	110481	Washer, 3/4" Flat
12	2	110481	Washer, 3/4" Flat	24	2	110382	Nut, Lock 3/4"-10

Spare parts used for all equipment must be in accordance with the product, no substitutions are allowed.

LOW PROFILE C-STIRRUP

DIMENSIONS



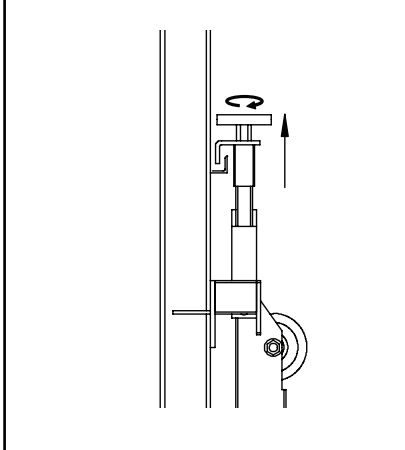
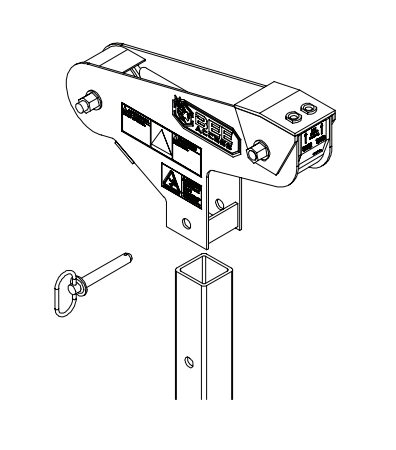
⚠ WARNING
 Any assembly of this equipment other than in strict accordance with these instructions shall be at the Operator's risk and may result in death or serious injury.

LOW PROFILE C-STIRRUP

ASSEMBLY & INSTALLATION INSTRUCTIONS

Mounting Stirrup and Hoist to Platform

STEP 1 **STEP 2**



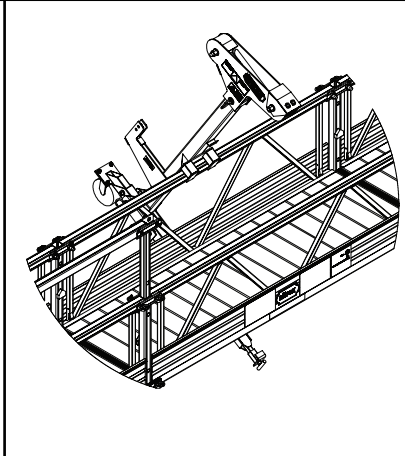
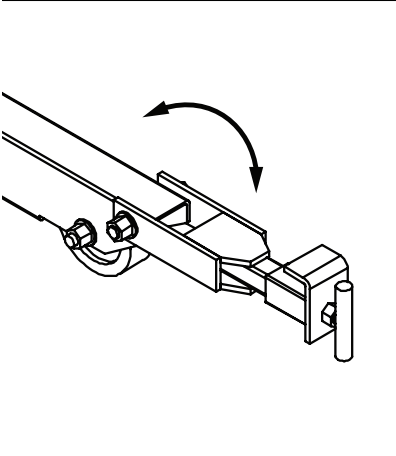
Tools Required:

- 3/4" socket w/ ratchet
- 3/4" wrench or adj. wrench

NOTE:

Assembly and operation must be performed or supervised by a trained and competent person. Read and fully understand these instructions before proceeding with assembly/operation. Inspect all lock nuts to make sure they are functional. Fasten all bolts snug-tight (1/3 to 1/2 turn past pretensioning) unless otherwise specified. Make sure warning/rating labels are in place, legible and have been read.

STEP 3 **STEP 4**



Assembly & Installation Instructions:

1. Optional: If sheave box assembly is disconnected from the post weldment, for easy transportation, reattach using the 3/4" hitch pin. The sheave box can also be reattached after the installation of the stirrup on the platform for easier installation.
2. Loosen the toeboard bracket from the small L bracket attached to the post weldment used for securely transporting the stirrup while folded.
3. Make sure that the toeboard bracket swings freely for installation of the base tube under the platform.
4. Pick up and rest the tabs sticking out from the stirrup's post weldment onto the midrail of the platform.

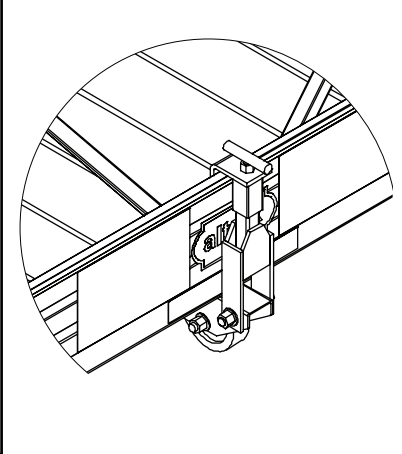
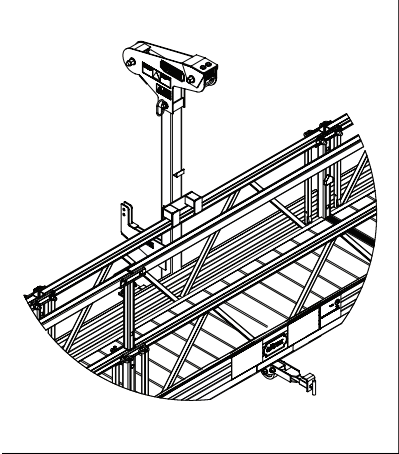
⚠ WARNING

- It is the user's responsibility to read and understand the warnings listed on this page and to use the equipment with these warnings in mind.
- Any installation/use of this equipment other than in strict accordance with these instructions shall be at the operator's risk and may result in death or serious injury.
- It is the user's responsibility to ensure that the distance between rigging points is equal to the distance between the hoist suspension points.
- Make sure the warning labels are present and legible.
- Do not alter the product and never use it for purposes in which it was not intended.
- Use only Bee Access provided hardware. Do not substitute.
- Inspect all equipment before use.
- Never use damaged equipment.
- Torque hardware to manufacturer's specifications.

LOW PROFILE C-STIRRUP

ASSEMBLY & INSTALLATION INSTRUCTIONS Mounting Stirrup and Hoist to Platform (*continued*)

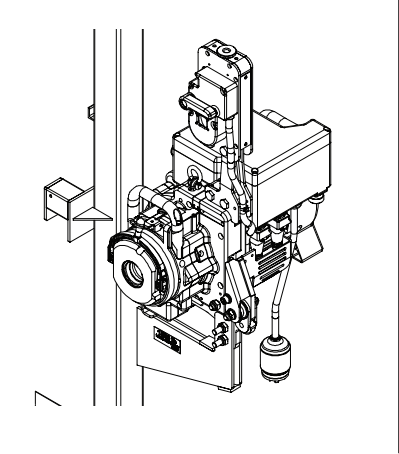
STEP 5 **STEP 6**



Assembly & Installation Instructions (continued):

5. Rotate the Low Profile C-Stirrup so that it sits flush on the underside of the platform and position/slide the Low Profile C-Stirrup into the desired position (directly below the rigging point). NOTE: Make sure the resulting cantilever is approved for use.
6. Attach the toeboard bracket to the side frame toeboard and hand-tighten the T-Handle until snug. Do NOT over-tighten.
7. Using the required tools listed, attach the hoist to the hoist mounting bracket located on the back side of the post weldment with the 1/2" hardware provided and tighten to 56 ft. lb. (76 nm). NOTE: Hoist can be self powered into position for easier installation onto the stirrup.

STEP 7



⚠ WARNING

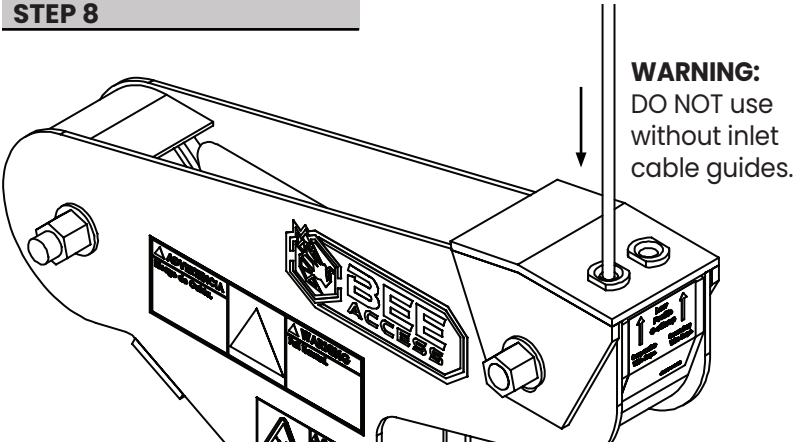
- It is the user's responsibility to read and understand the warnings listed on this page and to use the equipment with these warnings in mind.
- Any installation/use of this equipment other than in strict accordance with these instructions shall be at the operator's risk and may result in death or serious injury.
- It is the user's responsibility to ensure that the distance between rigging points is equal to the distance between the hoist suspension points.
- Make sure the warning labels are present and legible.
- Do not alter the product and never use it for purposes in which it was not intended.
- Use only Bee Access provided hardware. Do not substitute.
- Inspect all equipment before use.
- Never use damaged equipment.
- Torque hardware to manufacturer's specifications.

LOW PROFILE C-STIRRUP

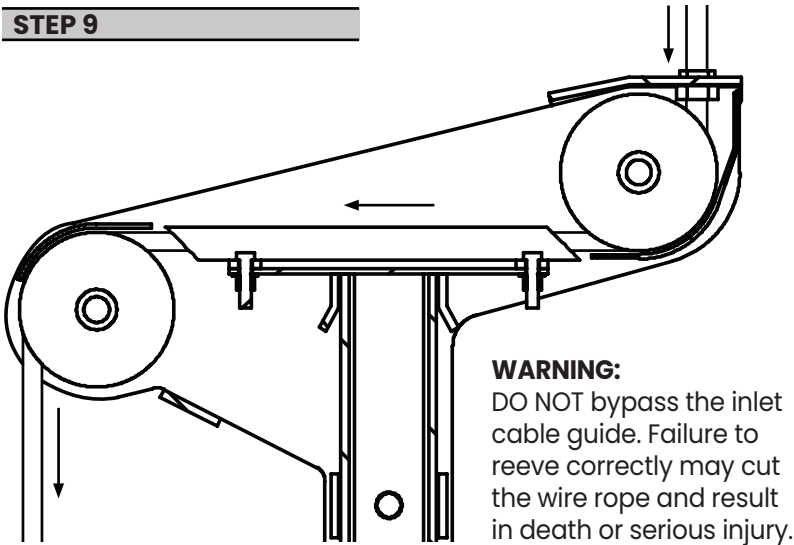
ASSEMBLY & INSTALLATION INSTRUCTIONS

Reeving the Wire Rope Through the Stirrup

STEP 8



STEP 9



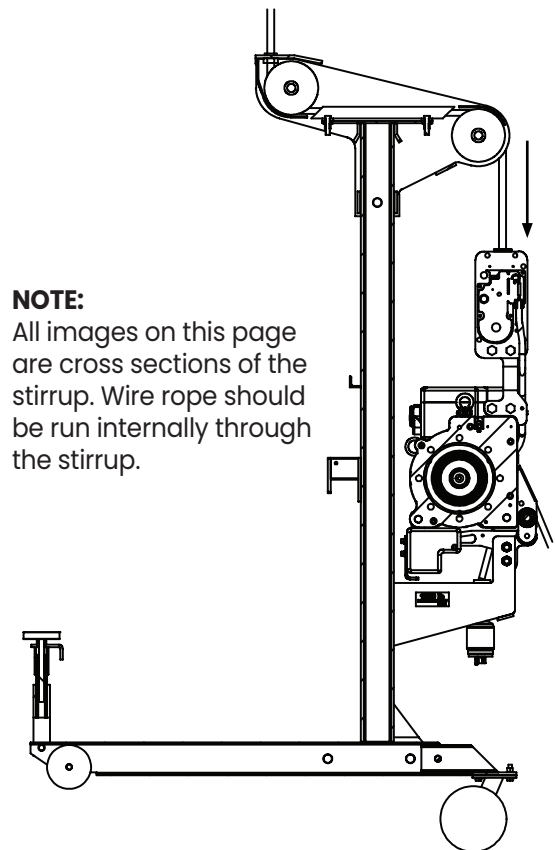
⚠ WARNING

- It is the user's responsibility to read and understand the warnings listed on this page and to use the equipment with these warnings in mind.
- Any installation/use of this equipment other than in strict accordance with these instructions shall be at the operator's risk and may result in death or serious injury.
- It is the user's responsibility to ensure that the distance between rigging points is equal to the distance between the hoist suspension points.
- Make sure the warning labels are present and legible.
- Do not alter the product and never use it for purposes in which it was not intended.
- Use only Bee Access provided hardware. Do not substitute.
- Inspect all equipment before use.
- Never use damaged equipment.
- Torque hardware to manufacturer's specifications.

Assembly & Installation Instructions (continued):

8. Reeve the wire rope through the appropriate inlet cable guide located on the sheave box assembly so that it aligns with the hoist inlet guide. An optional second wire rope can be inserted into the adjacent inlet cable guide.
9. Reeve the wire rope around the two double groove sheaves inside of the sheave box assembly making sure the wire rope runs through the guide tubes between both sheaves.
10. Reeve the wire rope through the hoist and verify that the wire rope is seated correctly in the double groove sheave when tension is on the wire rope.

STEP 10





LOW PROFILE C-STIRRUP

PRE-OPERATION CHECKLIST

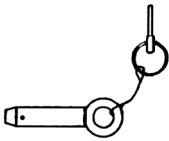
This checklist provides general inspection guidelines concerning this stirrup. Be aware that this checklist is not all inclusive and report any unusual findings beyond this check list.

External conditions such as misuse, abuse and long term factors such as weather, wear and fatigue, can severely weaken components to the point where they can become unsafe for use. The purpose of this checklist is to spot any defects before they become a hazard. In addition, check the instruction manuals and warning labels of all other components of the suspended scaffold system for additional information on its use and inspection procedures. Perform a thorough component check prior to each use of this equipment.

WARNING: Failure to check the equipment prior to each use can result in death or serious injury.

If you check off any boxes under "YES" or you are in doubt about any item, immediately contact your supervisor or supplier and **DO NOT** use this equipment until the problem is corrected.

YES NO

- Cracked or torn welds.
- Cracked, deformed or missing parts that could weaken the component(s).
- Deformations that do not allow proper installation or operation
- Missing or illegible labels.
- Missing or defective parts.
- Missing Quick Pins or Lynch Pins where applicable. 
- Penetrating rust (surface rust is acceptable). When in doubt, consult a competent person.
- Excessive dirt and debris that interferes with installation or operation.
- Worn pulleys and/or bearings.
- Worn inlet cable guides.
- Worn lock nuts and/or other defective or missing fastening hardware.
- Make sure that the stirrups are aligned directly under their suspension points.
- Inlet guides are present and in working condition.

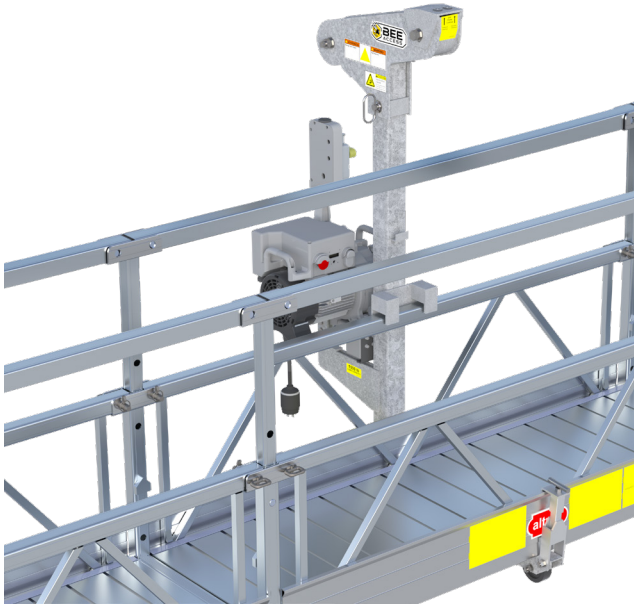
Inspected by: _____

Signature: _____

Date: _____

LOW PROFILE C-STIRRUP

OPERATING INSTRUCTIONS



NOTE:

- All pictures and drawings in this manual are for illustrative purposes only.
- This manual is intended for general information only. Because of the many variables which affect the performance of this equipment, some of the information in this manual may not apply. For specific applications, contact Bee Access.
- Erection, use, maintenance, and disassembly must conform to current Bee Access instructions as well as ALL federal, state, provincial, and local regulations.

⚠ WARNING

- It is the user's responsibility to read and understand the warnings listed on this page and to use the equipment with these warnings in mind.
- Any installation/use of this equipment other than in strict accordance with these instructions shall be at the operator's risk and may result in death or serious injury.
- It is the user's responsibility to ensure that the distance between rigging points is equal to the distance between the hoist suspension points.
- Make sure the warning labels are present and legible.
- Do not alter the product and never use it for purposes in which it was not intended.
- Use only Bee Access provided hardware. Do not substitute.
- Inspect all equipment before use.
- Never use damaged equipment.
- Torque hardware to manufacturer's specifications.

Operation Instructions:

1. After the inspection is completed, commence using the platform.

Warning:

1. Never overload the platform and stirrups. Check the allowable platform and stirrup load ratings.
2. DO NOT alter the equipment in any way and DO NOT use in ways for which it was not intended.
3. Keep the platform level at all times.
4. Keep the equipment clean and make sure it is inspected and maintained every 6 months or less by personnel authorized by Bee Access.
5. DO NOT use acids and keep the platform free from debris, especially oil or grease which can cause a slipping hazard.
6. NEVER take chances! If in doubt regarding the safety or use of the suspended scaffold system, consult a competent person, your supervisor and/or supplier.

Before/During Use:

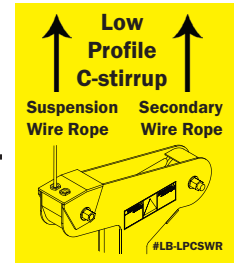
1. Listen for any unusual noises while traveling up and down that could indicate a problem with the stirrup alignment and/or pulleys.
2. Inspect the wire rope during ascent or descent for damage. DO NOT use wire rope that is kinked, birdcaged, corroded, undersized or damaged in any way. Always allow the wire rope to rotate freely below the hoist.
3. Always use and attach to fall protection equipment when working on suspended scaffolds, or near unprotected edges.
4. DO NOT operate the suspended platform within 10 ft of live electrical power lines, unless proper precautions are taken. Consult the power service company for advice.
5. DO NOT use the platform when the wind speed exceeds 25 mph.

LOW PROFILE C-STIRRUP

LABELS



LB-LOGO25 Label, 2.5" Bee Logo



LB-LPCSWR Label, "LPSC Wire Rope Insertion"



WL-EPL Label, "Electrical Power Lines"



WL-FALL Label, "Warning Label, Fall Hazard"



LB-1500 Label, "1500 lb Capacity"





SUSPENDED SCAFFOLD PRE-OPERATION CHECKLIST

This checklist provides a guideline to identify any potential hazards in the design, installation and/or defects of the equipment to make sure the suspended scaffold system is safe for use. Be aware that this checklist is not all inclusive and that manufacturer’s operating instructions and labels must be followed in conjunction with this checklist. Read and understand the CODE OF SAFE PRACTICES published by the Scaffold & Access Industry Association. Follow federal and local safety standards.

If you check off any boxes under “NO”, or are in doubt about any item, immediately contact your supervisor or supplier and do not use this equipment until the problem is corrected.

YES	NO	RIGGING EQUIPMENT	YES	NO	SUSPENDED PLATFORM
<input type="checkbox"/>	<input type="checkbox"/>	A competent person has determined that the structure is able to support the loads imposed by the rigging equipment.	<input type="checkbox"/>	<input type="checkbox"/>	The platform is of proper design for the application and has been correctly assembled per the manufacturer’s instructions.
<input type="checkbox"/>	<input type="checkbox"/>	The rigging equipment is of proper design for the application and has been correctly assembled and installed per the manufacturer’s instructions.	<input type="checkbox"/>	<input type="checkbox"/>	The platform stirrups are in line with the rigging equipment.
<input type="checkbox"/>	<input type="checkbox"/>	All temporary rigging equipment is properly tied back to a structurally sound anchorage.	<input type="checkbox"/>	<input type="checkbox"/>	The live load does not exceed the platform manufacturer’s rated load capacity.
<input type="checkbox"/>	<input type="checkbox"/>	All welds are in good condition and not cracked, torn or excessively corroded.	<input type="checkbox"/>	<input type="checkbox"/>	All welds are in good condition and not cracked, torn or excessively corroded.
<input type="checkbox"/>	<input type="checkbox"/>	All components are in good order and there are no missing, bent or damaged parts that could weaken the system. All mounting holes are free from deformation/cracks.	<input type="checkbox"/>	<input type="checkbox"/>	All components are in good order and there are no missing, bent or damaged parts that could weaken the system. All mounting holes are free from deformation/cracks.
<input type="checkbox"/>	<input type="checkbox"/>	When using davits and sockets or other PI equipment, they are correctly secured and installed, and the inspection records are up to date.	<input type="checkbox"/>	<input type="checkbox"/>	The platform is of proper design for the application and has been correctly assembled per the manufacturer’s instructions.
<input type="checkbox"/>	<input type="checkbox"/>	A competent person has determined that there is no penetrating rust on steel parts.	<input type="checkbox"/>	<input type="checkbox"/>	A competent person has determined that there is no penetrating rust on steel parts.
<input type="checkbox"/>	<input type="checkbox"/>	The hardware is grade 5 or better, in good condition and the lock nuts are not worn.	<input type="checkbox"/>	<input type="checkbox"/>	The hardware is grade 5 or better, in good condition and the lock nuts are not worn.
<input type="checkbox"/>	<input type="checkbox"/>	All labels are present and clearly legible.	<input type="checkbox"/>	<input type="checkbox"/>	All labels are present and clearly legible.
<input type="checkbox"/>	<input type="checkbox"/>	The quickpins are in good working condition with properly locking lynch pins.	<input type="checkbox"/>	<input type="checkbox"/>	The quickpins are in good working condition with properly locking lynch pins.
<input type="checkbox"/>	<input type="checkbox"/>	When using outrigger beams, the number of counterweights match the outreach and hoist rated load capacity.	<input type="checkbox"/>	<input type="checkbox"/>	The deck is free from excessive dirt and debris that could cause a slipping hazard or affect the load capacity and/or proper functioning/ installation of the component(s).
			<input type="checkbox"/>	<input type="checkbox"/>	The stirrup pulleys, bearings and inlet cable guides are in good condition.
			<input type="checkbox"/>	<input type="checkbox"/>	The platform is free from chemical corrosion and/or excessive sand blasting damage.
			<input type="checkbox"/>	<input type="checkbox"/>	The platform is at least 10 ft away from live unprotected power lines.
			<input type="checkbox"/>	<input type="checkbox"/>	The weather conditions are acceptable for safe use of the platform and the wind gusts do not exceed 25 mph for a multiple point suspended platform or 20 mph for a single point work cage or bosun’s chair.



2145 Indian Road, West Palm Beach, FL 33409
Phone: 561.616.9003 www.beeaccess.com

SUSPENDED SCAFFOLD PRE-OPERATION CHECKLIST

CHECKLIST CONTINUED

YES	NO	HOIST AND WIRE ROPE
<input type="checkbox"/>	<input type="checkbox"/>	The hoists are of proper design for the application and have been correctly installed per the manufacturer's instructions.
<input type="checkbox"/>	<input type="checkbox"/>	The manufacturer's operating instructions have been read and are understood.
<input type="checkbox"/>	<input type="checkbox"/>	The daily tests have been performed according to the hoist operating manual.
<input type="checkbox"/>	<input type="checkbox"/>	The hoists are in proper working order.
<input type="checkbox"/>	<input type="checkbox"/>	The electric cable or air hose connections have been inspected and are safe for use.
<input type="checkbox"/>	<input type="checkbox"/>	The power supply is adequate for the number and type of hoists used.
<input type="checkbox"/>	<input type="checkbox"/>	The length of the wire rope is long enough to reach the ground and is properly attached to the support equipment. All fittings are checked under load.
<input type="checkbox"/>	<input type="checkbox"/>	The wire rope has been inspected and is in good working condition.

YES	NO	FALL PROTECTION SYSTEM
NOTE: No worker shall enter a suspended platform, work cage or bosun's chair unless they are "hooked-up" in a safe manner according to applicable federal and local standards.		
<input type="checkbox"/>	<input type="checkbox"/>	Each full body harness is the proper size, has the D-ring in the center of the back and has been checked for safe use.
<input type="checkbox"/>	<input type="checkbox"/>	Each worker has their own independent fall protection system.
<input type="checkbox"/>	<input type="checkbox"/>	Each rope grab has been checked for correct installation and operation.
<input type="checkbox"/>	<input type="checkbox"/>	Each lanyard has been checked for correct installation and safe use.
<input type="checkbox"/>	<input type="checkbox"/>	Each lifeline has been checked for safe use and is correctly installed with edge protection to an independent anchor point capable of holding a 5000 lb. ultimate load.

NOTES:

- Suspended Scaffold Systems must be installed and dismantled by, or under the supervision of, a trained and competent person.**
- Check all components before each work shift.**
- Never use damaged equipment.**
- Never overload the equipment.**
- Do not alter the equipment.**
- Do not use this equipment for purposes or in ways for which it was not intended.**

DATE: _____

INSPECTED BY: _____ SIGNATURE: _____

REMARKS: _____

