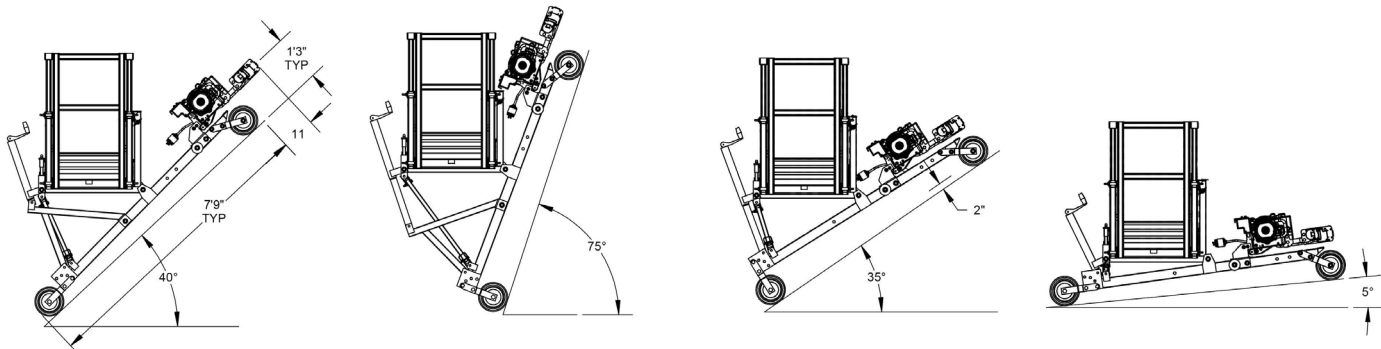
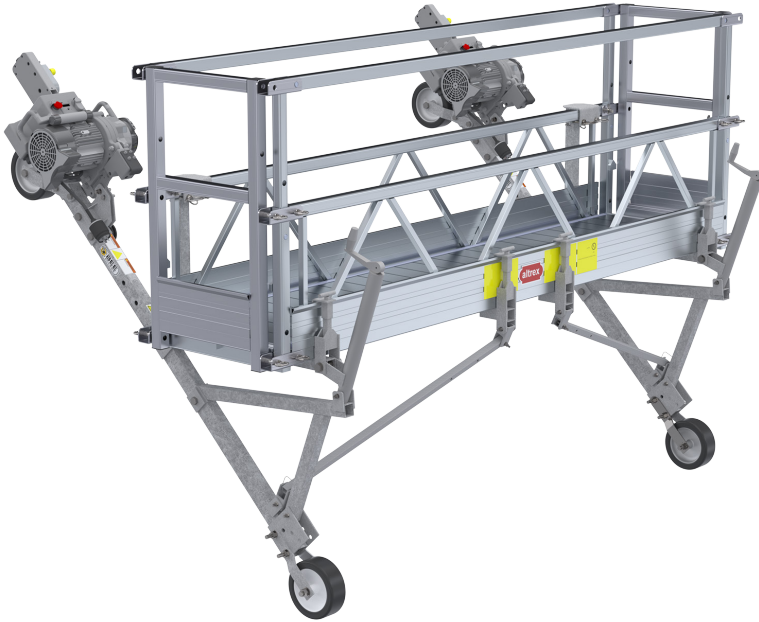




INCLINE STIRRUP



Demonstrates the Incline Stirrup with the jack support weldment, allowing level access to 40-75 degree surfaces.

Demonstrates the Incline Stirrup without the jack support weldment, allowing level access to 5-35 degree surfaces.

DESCRIPTION

The incline stirrup is ideal for dams, pyramid shaped buildings and other structures that are under an incline. The adjustments are infinite from 5-35 degrees or 40-75 degrees with supplied adapter bracket.

The incline stirrup is extremely versatile and can be mounted anywhere along the platforms' side frame. The hoist mounting bracket fits all popular traction hoists. Various wheel configurations are available.

SPECIFICATIONS

Part No.: 934139

Load Capacity: 1,500 lb

Dimensions: 82" x 9" x 7" (HxWxD)

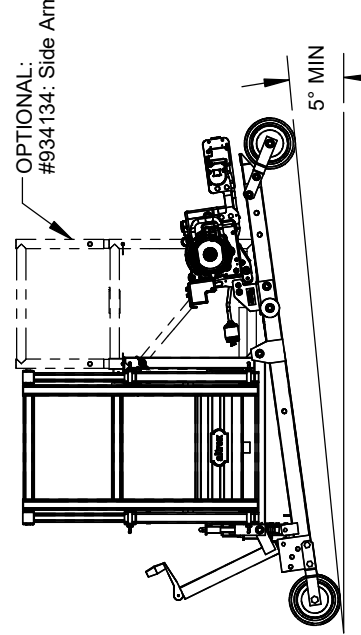
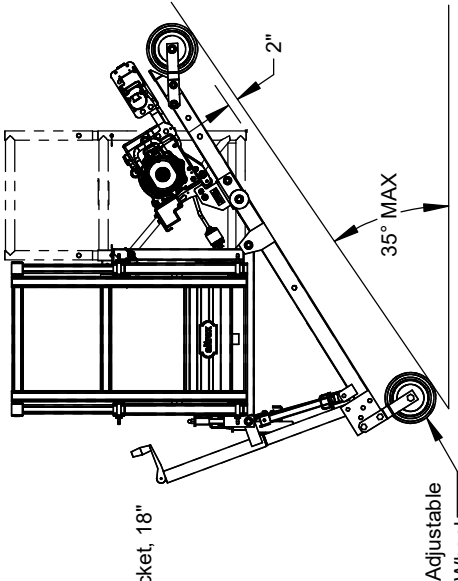
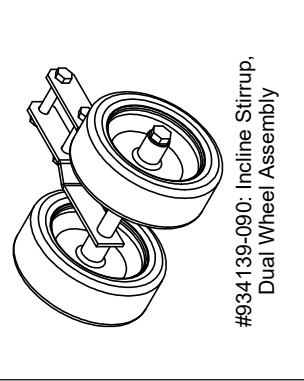
Weight: 134 lb

Construction: Steel

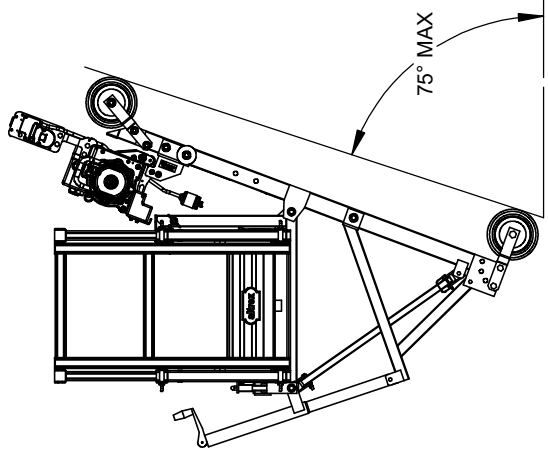
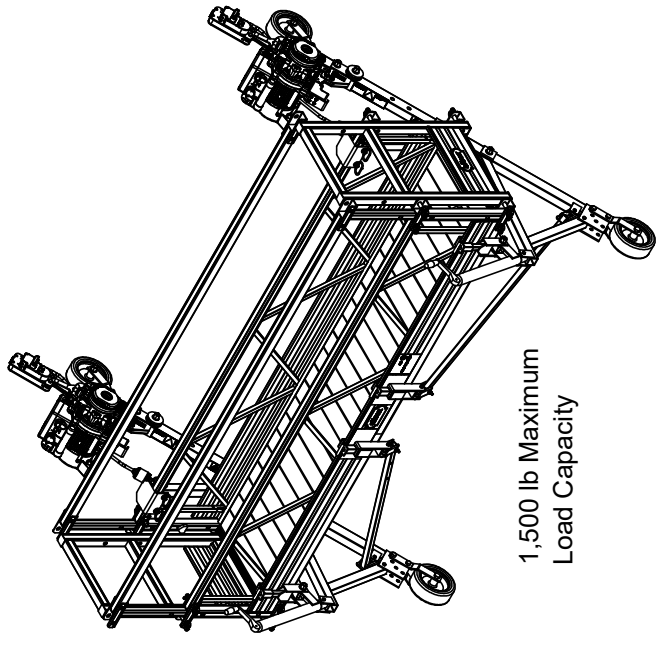
Finish: Grey Powder Coating or Galvanized

1 2 3 4 5

OPTIONAL ACCESSORIES	
ITEM NO.	PART NO. DESCRIPTION
1	934134 Side Arm Bracket
2	934139-090 Incline Stirrup, Dual Wheel Assembly
3	834120 9x3.5-4" Flat Free Tire



Without Add-On



With Add-On



Incline Stirrup Application

The information contained in this drawing is the sole property of Bee Access products. Any reproduction in part or whole without the written permission of Bee Access Products is strictly prohibited.

Scale	Do not scale drawing:
1:35	
By:	Date:
SBS	08-21-15
Rev	RAH 01-24-24

NOTE: This layout configuration is designed and approved ONLY for use with Bee Access accessories on ALTREX or UP-STAGE modular platform components. If any other components are used, Bee Access is not responsible for the platform's integrity and will take no liability for any platform failure.

WARNING: Platforms must be raised and lowered evenly to prevent crack or torn welds or other failure. Failure to do so may result in injury or death.

Product Line/Project:	
Platform	REV. C
Part No. 934139 App	Sheet 1 of 1

1 2 3 4 5