

PT 1800



Transport Platform

RACK & PINION

IDEAL FOR LARGE CONSTRUCTION AND RESTORATION PROJECTS

This platform allows for the transportation of up to 20 personnel or 7 personnel with material and equipment; especially suited for lifting drywall. Thanks to the robust square mast, the PT 1800 can work together with the EDC 2000, MC 2000 and PEC 103/150 hoists at the same time.

- Overspeed parachute with auto-recovery system
- Galvanized steel finish with a non-slip cage floor
- Possibility of incorporating a third loading door
- Hoist controls with LED display

Main Features:

- Max. load capacity: 4000 lb (1800 kg)
- Max. speed: 72 ft/min (22 m/min)
- Max. height: 820 ft (250 m) (inquire about greater heights)
- Cabin dimensions: 130 in x 55 in x 82 in (3.3 m x 1.4 m x 2.1 m)



GREAT LIFTING CAPACITY FOR LARGE PROJECTS



MAST SECTION



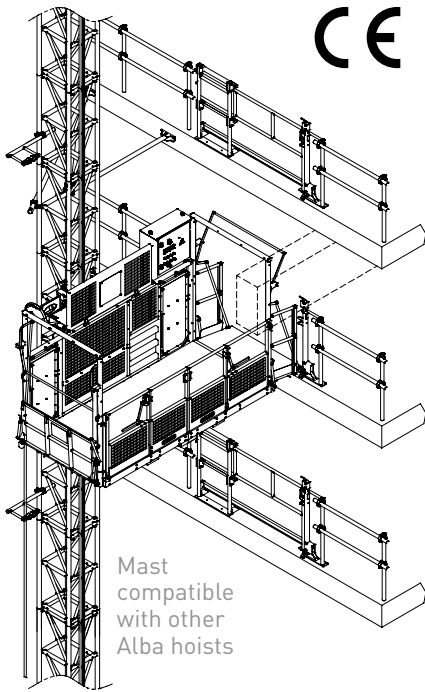
Square Mast

Length: 58" (1.5 m)
Weight:
1 Rack: 216 lb (98 kg)
2 Rack: 260 lb (118 kg)

Mast Compatibility

Mast climber: PEC 130 / PEC 150
Material hoist: MC 2000
Construction hoist: EDC 2000
Transport platform: PT 3800

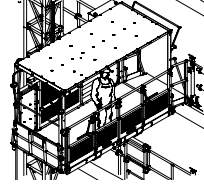
DATA SHEET | PT 1800



CPU and automatic floor management



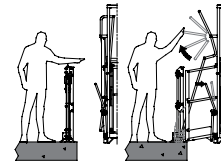
Falling object protection guard



Overspeed parachute with auto-recovery system

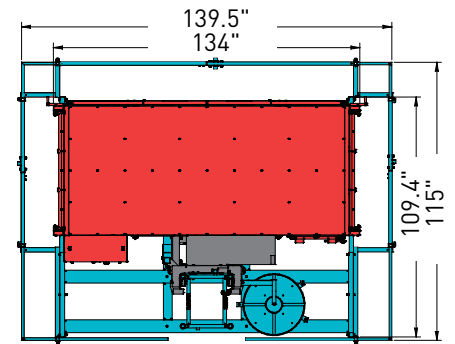


Folding ramps with automatic side protection



Mast compatible with other Alba hoists

Dual operation mode: personnel & material



SAFETY DEVICES INCLUDED AND OPTIONAL

INCLUDED

- Gear motors with electromechanical brake
- Overspeed parachute with auto-recovery system
- Emergency controlled descent
- Cage doors with automatic side protection
- Hoist control display with LED signaling
- Automatic floor management
- Buffers at the ground base
- Falling object protection guard
- Hoist control CPU, with event log
- Upper/lower end-track limit switch
- Safety end-track limit switches
- Overload detection device
- Mast presence switch
- Last mast without rack for safety
- Aux. platform for mast and anchorage assembly
- Cage floor of non-slip galvanized steel
- Movement warning horn
- Phase detection control
- Emergency stop

OPTIONAL

- Landing doors with mechanical / electrical interlock
- Base enclosure with electrical interlock
- Aux. crane for mast assembly
- Motor with brake wear signal
- Landing levels call system
- Parachute test remote control
- Automatic greaser

TECHNICAL FEATURES - PT 1800FA-2V

Maximum capacity	7 people + 2400 lb (1100 kg) material or 4000 lb (1800 kg) material only
Vertical speed	Personnel: 40 ft/min (12 m/min) Material: 72 ft/min (22 m/min)
Cage dimensions (LxWxH)	130 in x 55 in x 82 in (330 cm x 140 cm x 208 cm)
Motor control	FREQUENCY CONVERTER
Maximum height	820 ft (250 m) <500 ft (150 m) with Standard mast or >500 ft with Reinforced mast
Anchorage each (max.)	30 ft (9 m)
Height over last anchorage	10 ft (3 m)
First anchorage height	20 ft (6 m)
Loading height-to-ground with cable bin	20 in (50 cm)
with cable trolley	32 in (80 cm)
Base assembly weight	1100 lb (500 kg)
Regulations reference	ANSI A92.10

ELECTRICAL DATA

Motor power	2 x 5.5 kW
Input power connection	380÷460 V – 50/60 Hz - 3 phase
Power consumption	15 kW
Nominal / Starting current	32 A
Supply power	30 kVA
Overload protection	3 x 32 A
Differential protection	
Calibration	32 A
Sensitivity	300 mA
Control voltage	48 V
Auxiliary hand tool socket	120 V – 50/60 Hz 16 A
Cable Section	4 x AWG 7



2145 Indian Road
West Palm Beach, FL 33409
T. 561.616.9003
F. 561.616.9005
info@beeaccess.com
www.beeaccess.com